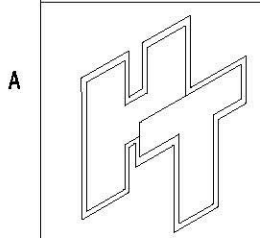
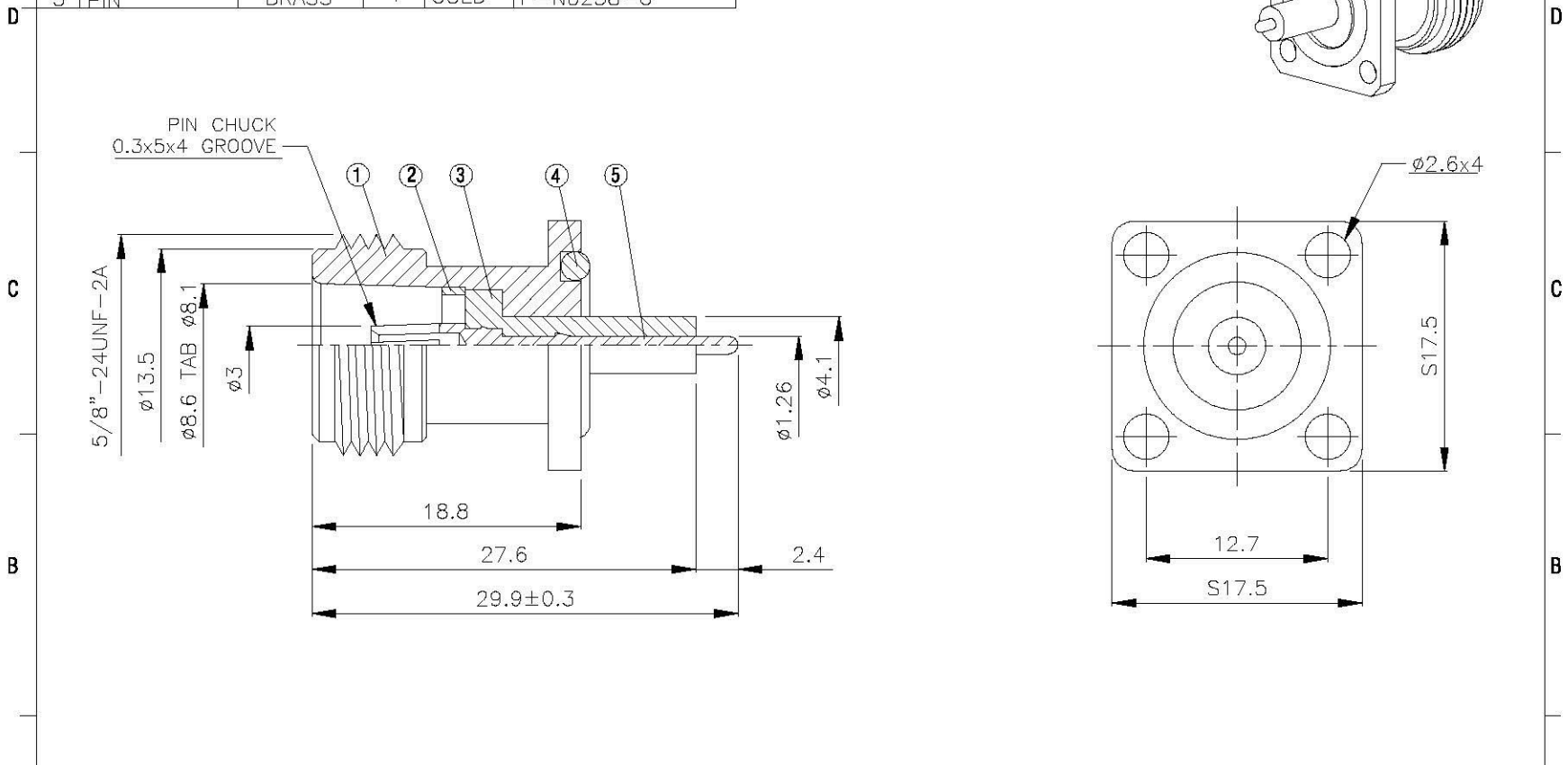
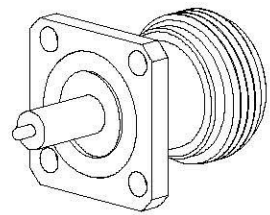


NO	DESCRIPTION	MATERIAL	Q'TY	FINISH	REMARK
1	BODY	BRASS	1	NICKEL	B-N0403-N
2	WASHER	BRASS	1	NICKEL	W-0036-N
3	INSULATION 1	TEFLON	1	TEFLON	I-0074T
4	GASKET	SI RUBBER	1	RUBBER	RU-0016
5	PIN	BRASS	1	GOLD	P-N0258-G



All Connectors
 www.allconnectors.com info@allconnectors.com
 Tel: 0049 744 700900 Fax: 0049 744 700904
 70734 Filberstadt - Germany Kallertstr. 25

TITLE **N PANEL FEMALE RECEPTACLE**

PART NO. **N-22-TGN**

DRAWING NO. **N 22 TGN**

DRAWN **MARY** DATE **06.06.20**

CHECKED **蘇志欣** DATE

Q.A. **蘇姿潔** DATE

APPROVAL **徐燦霖** DATE

REVISION DATE

DIMENSIONS ARE IN MILLIMETERS

UNLESS OTHERWISE SPECIFIED TOLERANCE

0.5-5 = ±0.2	120-315 = ±1
5-30 = ±0.4	315-1000 = ±1.6
30-120 = ±0.6	1000-2000 = ±2.4

SCALE **4:1** SIZE **A**

REVISION	
DESCRIPTION	ENGINEER

4

3

2

1

A

A