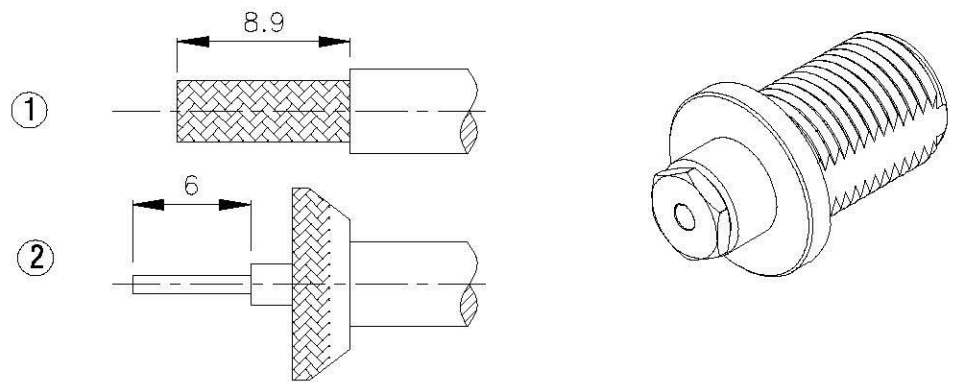
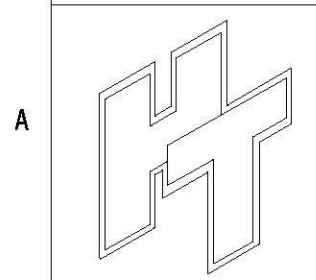
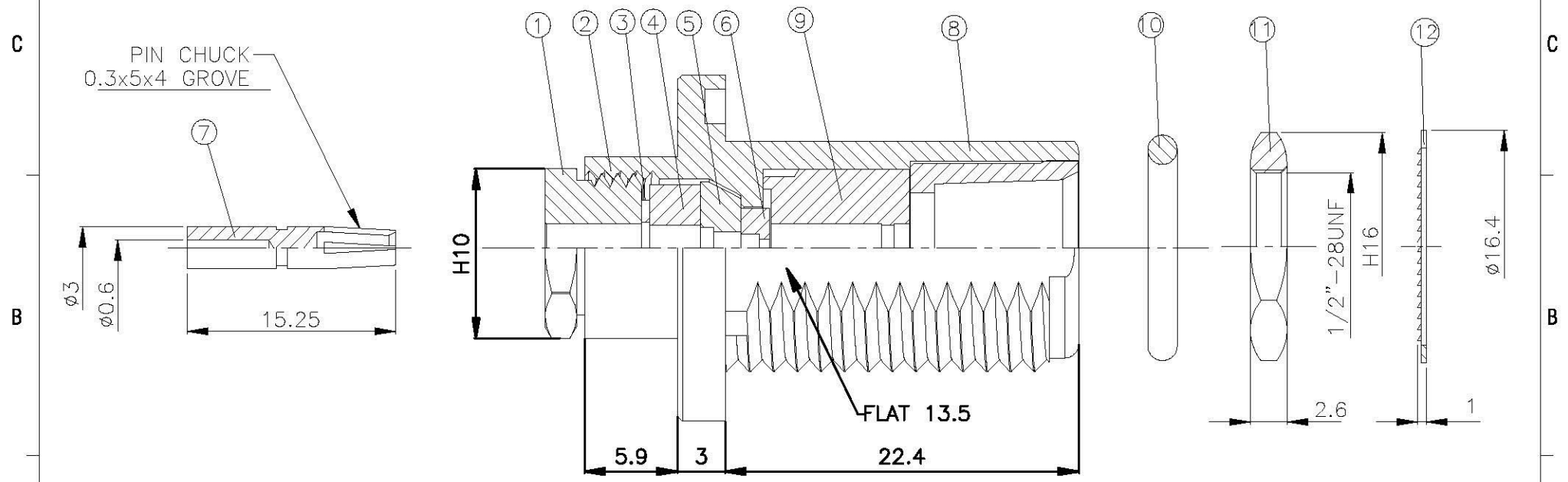


NO	DESCRIPTION	MATERIAL	Q'TY	FINISH	REMARK
1	NUT	BRASS	1	NICKEL	N-0067-N
2	WASHER	BRASS	1	NICKEL	B-N1063-N
3	RUBBER	SI RUBBER	1	RUBBER	W-0083-N
4	BODY 1	BRASS	1	NICKEL	RU-0052
5	INSULATION	TEFLON	1	NICKEL	W-0085-N
6	INSULATION	TEFLON	1	NICKEL	I-0088T
7	BODY 3	BRASS	1	NICKEL	P-N0020-G
8	BODY 2	BRASS	1	NICKEL	B-N0320-N
9	INSULATION	TEFLON	1	NICKEL	I-0117T
10	GASKET	RUBBER	1	RUBBER	RU-0009
11	NUT	BRASS	1	NICKEL	N-0007-N
12	WASHER	BRASS	1	NICKEL	W-0005-N



(Recommended Stripping Dimension)



**All Connectors**  
 www.allconnectors.de  
 info@allconnectors.de  
 TEL: 0049 210 2029001  
 2029001 (Germany)  
 FAX: 0049 210 2029000  
 2029000 (Germany)  
 TEL: 0049 210 2029002  
 2029002 (Germany)

TITLE: N FEMALE CLAMP FOR RG-174/U  
 PART NO.: N-19LV1-TGN  
 DRAWING NO.: N 19LV1 TGN

DRAWN: 蘇姿潔 DATE: 98.09.30  
 CHECKED: 蘇志欣 DATE:  
 Q.A.: 林妙樺 DATE:  
 APPROVAL: 徐燦霖 DATE:  
 REVISION: DATE:

DIMENSIONS ARE IN MILLIMETERS  
 UNLESS OTHERWISE SPECIFIED TOLERANCES  
 0.5-5=±0.2 120-315=±1  
 5-30=±0.4 315-1000=±1.6  
 30-120=±0.6 1000-2000=±2.4  
 SCALE: 5:1 SIZE: A

REVISION	
DESCRIPTION	ENGINEER