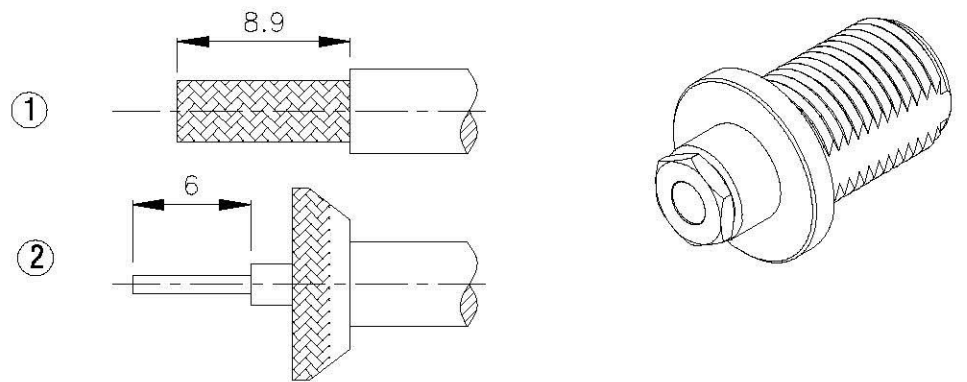
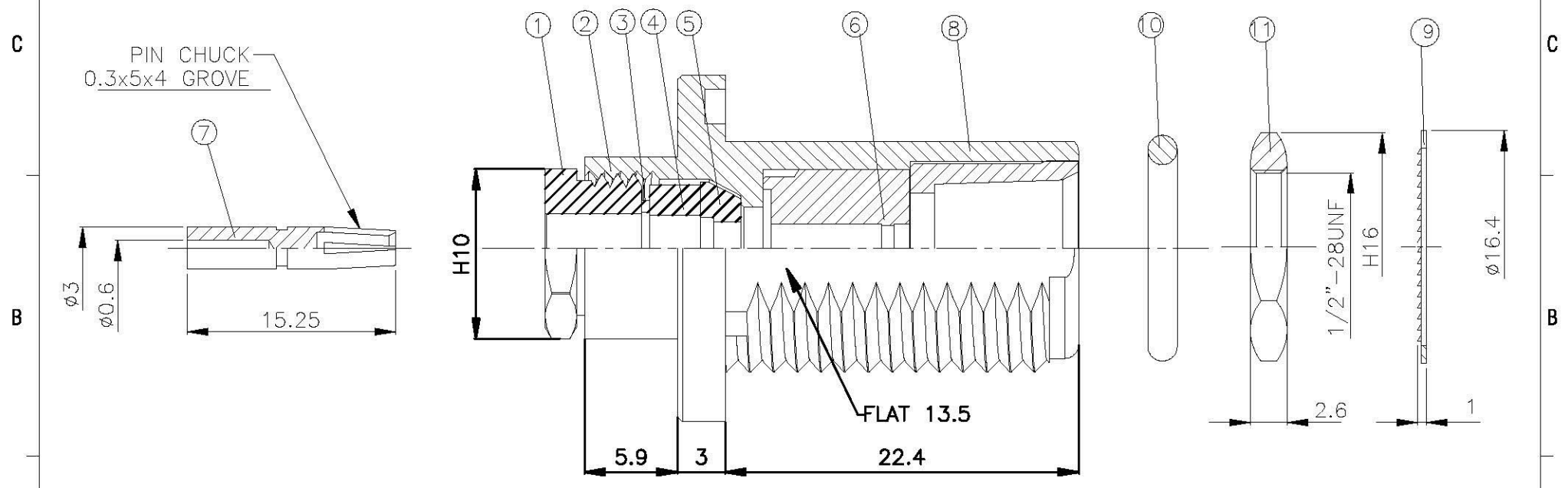


NO	DESCRIPTION	MATERIAL	Q'TY	FINISH	REMARK
1	NUT	BRASS	1	NICKEL	N-0068-N
2	WASHER	BRASS	1	NICKEL	B-N1063-N
3	RUBBER	SI RUBBER	1	RUBBER	W-0087-N
4	BODY 1	BRASS	1	NICKEL	RU-0053
5	INSULATION	TEFLON	1	NICKEL	W-0086-N
6	INSULATION	TEFLON	1	NICKEL	I-0117T
7	BODY 3	BRASS	1	NICKEL	P-N0020-G
8	BODY 2	BRASS	1	NICKEL	B-N0320-N
9	WASHER	BRASS	1	NICKEL	W-0005-N
10	GASKET	RUBBER	1	RUBBER	RU-0009
11	NUT	BRASS	1	NICKEL	N-0007-N



(Recommended Stripping Dimension)



	<b>All Connectors</b> <small>www.allconnectors.de          Tel: +49 4345 711-0          Fax: +49 4345 711-1000          info@allconnectors.de</small>	<b>DRAWN</b> 蘇姿潔 DATE 98.09.30	<b>DIMENSIONS ARE IN MILLIMETERS</b>		<b>REVISION</b>	
	<small>Info@allconnectors.de          Fax: +49 4345 711-1000          kuestner@allconnectors.de</small>	<b>CHECKED</b> 蘇志欣 DATE	<b>UNLESS OTHERWISE SPECIFIED TOLERANCES</b>		<b>DESCRIPTION</b>	<b>ENGINEER</b>
	<b>TITLE</b> N FEMALE CLAMP FOR RG-58/U	<b>Q.A.</b> 林妙樺 DATE	0.5-5=±0.2 120-315=±1 5-30=±0.4 315-1000=±1.6 30-120=±0.6 1000-2000=±2.4			
	<b>PART NO.</b> N-19F-TGN-1	<b>APPROVAL</b> 徐燦霖 DATE	<b>SCALE</b> 5:1 <b>SIZE</b> A			
	<b>DRAWING NO.</b> N 19F TGN-1	<b>REVISION</b> DATE				