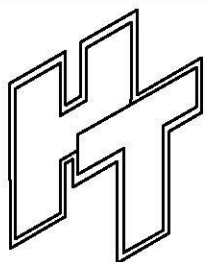
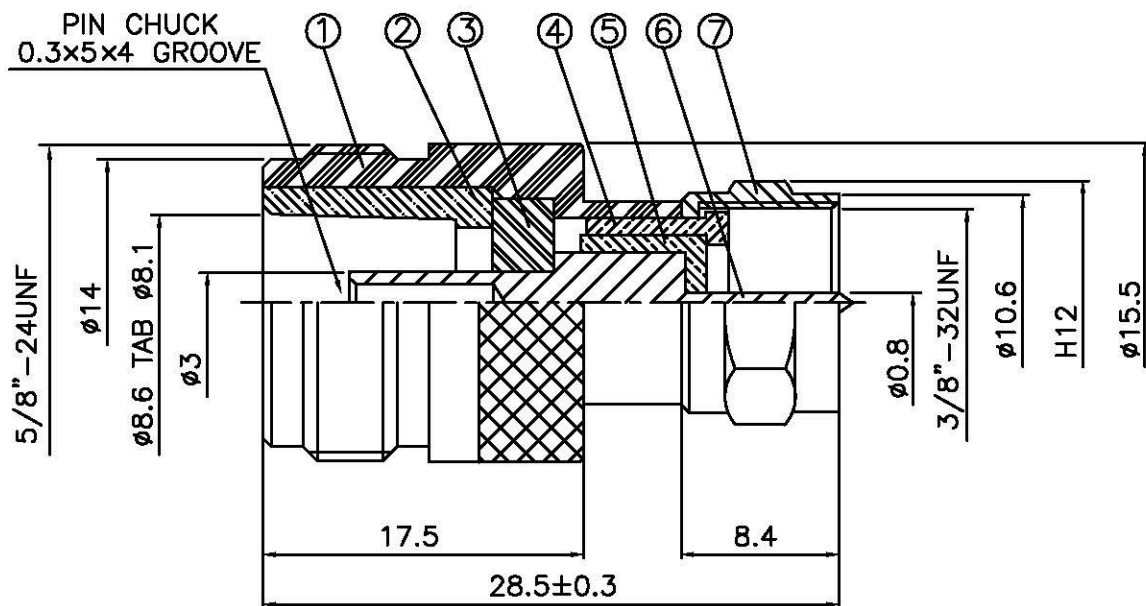
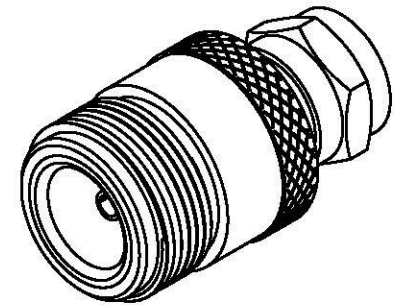


NO	DESCRIPTION	MATERIAL	Q'TY	FINISH
1	BODY	BRASS	1	NICKEL
2	CHASSIS	BRASS	1	NICKEL
3	INSULATION	DELRIN	1	DELRIN
4	SLEEVE	BRASS	1	NICKEL
5	INSULATION	DELRIN	1	DELRIN
6	PIN	BRASS	1	NICKEL
7	NUT	BRASS	1	NICKEL



Allconnectors

www.allconnectors.de
 Tel.: 0049 711 7009504
 20,98 Hildenstadt - Germany

info@allconnectors.de
 Fax: 0049 711 7009503
 Kettnerstr. 25

TITLE N FEMALE - F MALE ADAPTOR

PART NO. N-16-DNN

DRAWING NO. N 16 DNN

DRAWN MARY

DATE 96.06.04

CHECKED 蘇志欣

DATE

Q.A. 蘇姿潔

DATE

APPROVAL 徐燦霖

DATE

REVISION

DATE

DIMENSIONS ARE IN MILLIMETERS

UNLESS OTHERWISE SPECIFIED TOLERANCE
 0.5-5=±0.2 120-315=±1
 5-30=±0.4 315-1000=±1.6
 30-120=±0.6 1000-2000=±2.4

SCALE 4:1 SIZE A

REVISION

DESCRIPTION ENGINEER