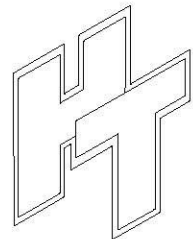
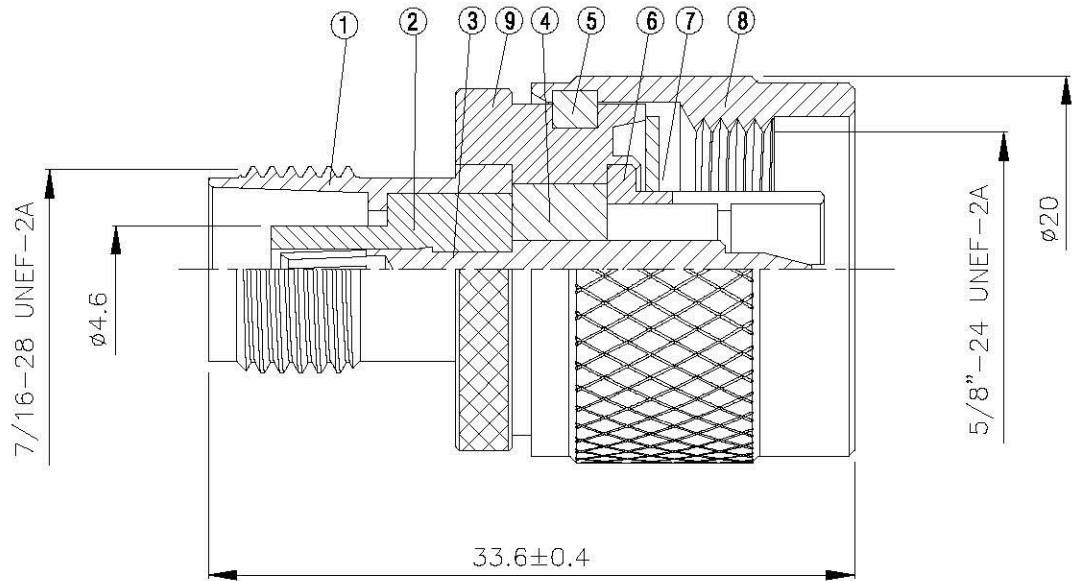
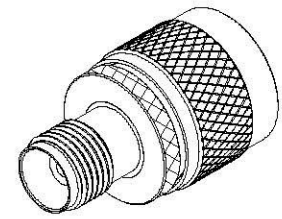


NO	DESCRIPTION	MATERIAL	Q'TY	FINISH	REMARK
1	BODY 1	BRASS	1	NICKEL	B-TNC0609-N
2	INSULATION	TEFLON	1	TEFLON	I-0284T
3	PIN	BRASS	1	GOLD	P-BNC0400-G
4	INSULATION	TEFLON	1	TEFLON	I-0283T
5	WASHER 3	PH.BRONZE	1	NICKLE	W-0014
6	BODY 2	BRASS	1	NICKEL	B-N0033-N
7	GASKET	SI RUBBER	1	RUBBER	RU-0007
8	BODY 3	BRASS	1	NICKEL	B-N0032-N
9	BODY 4	BRASS	1	NICKEL	B-N0606-N



Allconnectors
 www.allconnectors.de
 info@allconnectors.de
 0919 919 011 0919 919 011
 70724 Ulm/Leibnizstr. 15 - Germany

TITLE
N MALE - TNC FEMALE ADAPTOR

PART NO.
N-14-TGN

DRAWING NO.
N 14 TGN

DRAWN MARY **DATE** 96.06.04

CHECKED 黄巧君 **DATE** 96.06.04

Q.A. 蘇姿潔 **DATE**

APPROVAL 徐燦霖 **DATE**

REVISION **DATE**

DIMENSIONS ARE IN MILLIMETERS

UNLESS OTHERWISE SPECIFIED TOLERANCE

0.5-5=±0.2	120-315=±1
5-30=±0.4	315-1000=±1.6
30-120=±0.6	1000-2000=±2.4

SCALE 4:1 **SIZE** A

REVISION	
DESCRIPTION	ENGINEER