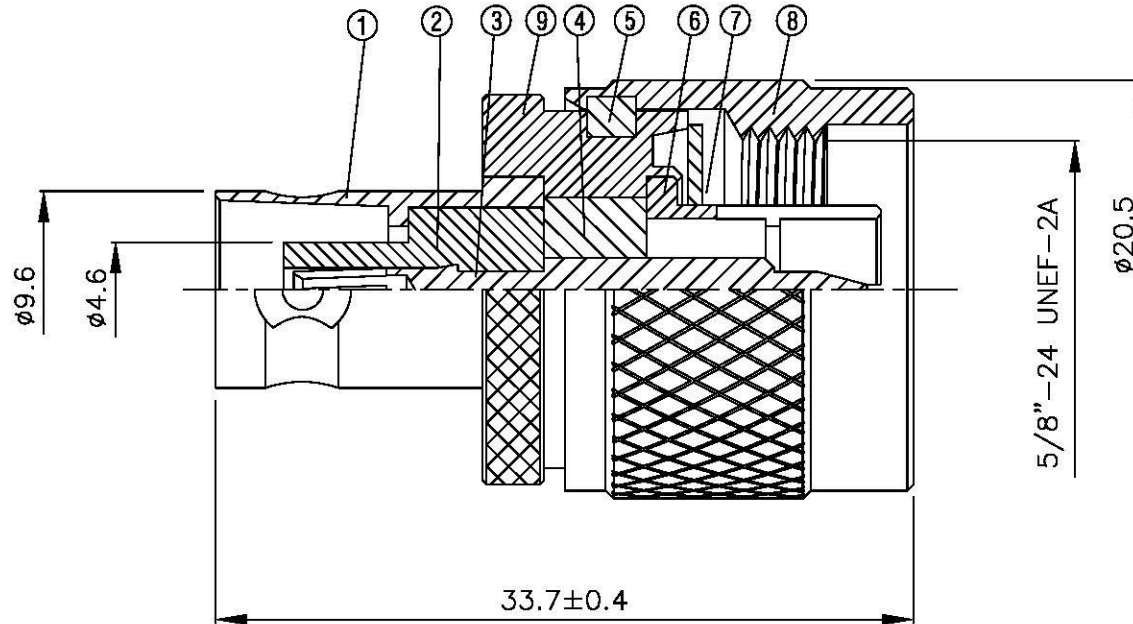
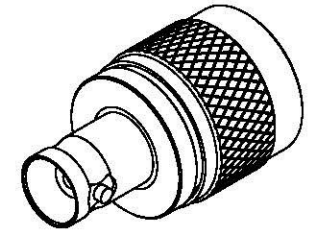


NO	DESCRIPTION	MATERIAL	Q'TY	FINISH	REMARK
1	BODY 1	BRASS	1	NICKEL	B-BNC0608-N
2	INSULATION	TEFLON	1	TEFLON	I-0284T
3	PIN	BRASS	1	GOLD	P-BNC0400-G
4	INSULATION	TEFLON	1	TEFLON	I-0283T
5	WASHER	PH.BRONZE	1	NICKLE	W-0014
6	BODY 2	BRASS	1	NICKEL	B-N0033-N
7	GASKET	SI RUBBER	1	RUBBER	RU-0007
8	BODY 3	BRASS	1	NICKEL	B-N0032-N
9	BODY 4	BRASS	1	NICKEL	B-N0606-N



		DRAWN MARY DATE 96.06.04	DIMENSIONS ARE IN MILLIMETERS		REVISION		
	<small>www.allconnectors.de Tel: 0049 711 204900 26721 Niederst. - Germany</small>	<small>info@allconnectors.de Fax: 0049 711 2049001 Kettnerstr. 25</small>	CHECKED 蘇志欣 DATE	UNLESS OTHERWISE SPECIFIED TOLERANCE		DESCRIPTION	ENGINEER
	TITLE N MALE - BNC FEMALE ADAPTOR		Q.A. 蘇姿潔 DATE	0.5-5=±0.2 120-315=±1			
	PART NO. N-13-TGN		APPROVAL 徐燦霖 DATE	5-30=±0.4 315-1000=±1.6			
	DRAWING NO. N 13 TGN		REVISION DATE	30-120±0.6 1000-2000=±2.4	SCALE 4:1	SIZE A	