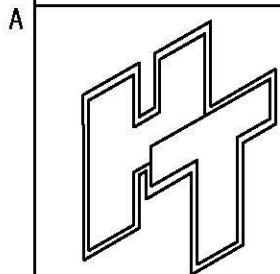
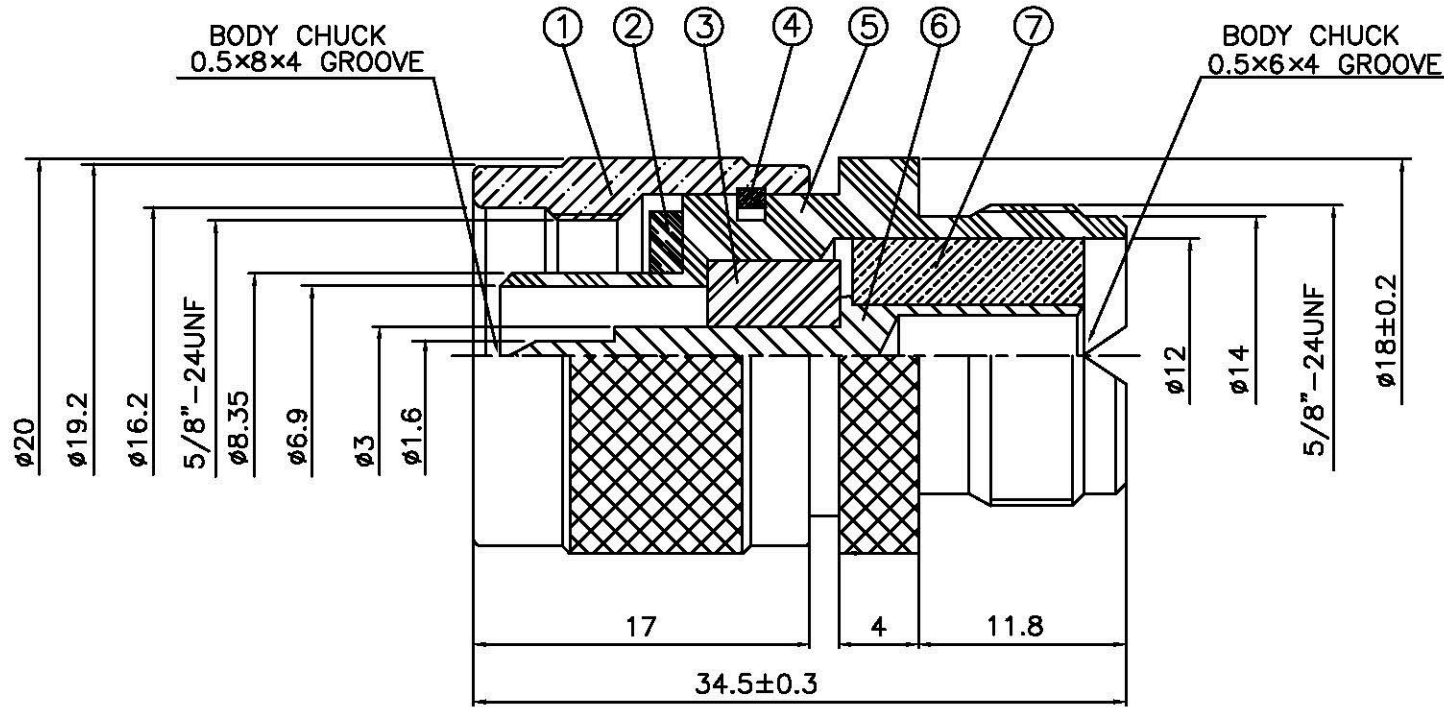
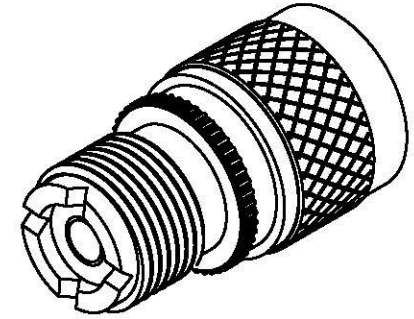


NO	DESCRIPTION	MATERIAL	Q'TY	FINISH
1	SHELL	BRASS	1	NICKEL
2	GASKET	SI RUBBER	1	RUBBER
3	INSULATION	DELKIN	1	DELKIN
4	WASHER	BRASS	1	NICKEL
5	BODY	BRASS	1	NICKEL
6	PIN	BRASS	1	GOLD
7	INSULATION	DELKIN	1	DELKIN



**All Connectors**

www.allconnectors.de  
Tel: 0049 433 4005049  
70794 Ellwangen - Germany

Info@allconnectors.de  
Fax: 0049 433 4005049  
Kathmannstr. 25

TITLE  
**N MALE - UHF FEMALE ADAPTOR**

PART NO.  
**N-12-DGN**

DRAWING NO. **N12DGN**

DRAWN **MARY** DATE **96.06.04**

CHECKED **蘇志欣**

Q.A. **蘇姿潔**

APPROVAL **徐燦霖**

REVISION

DATE

DATE

DATE

DATE

DIMENSIONS ARE IN MILLIMETERS

UNLESS OTHERWISE SPECIFIED  
TOLERANCE

0.5-5=±0.2	120-315=±1
5-30=±0.4	315-1000=±1.6
30-120=±0.6	1000-2000=±2.4

SCALE **4:1** SIZE **A**

REVISION

DESCRIPTION	ENGINEER