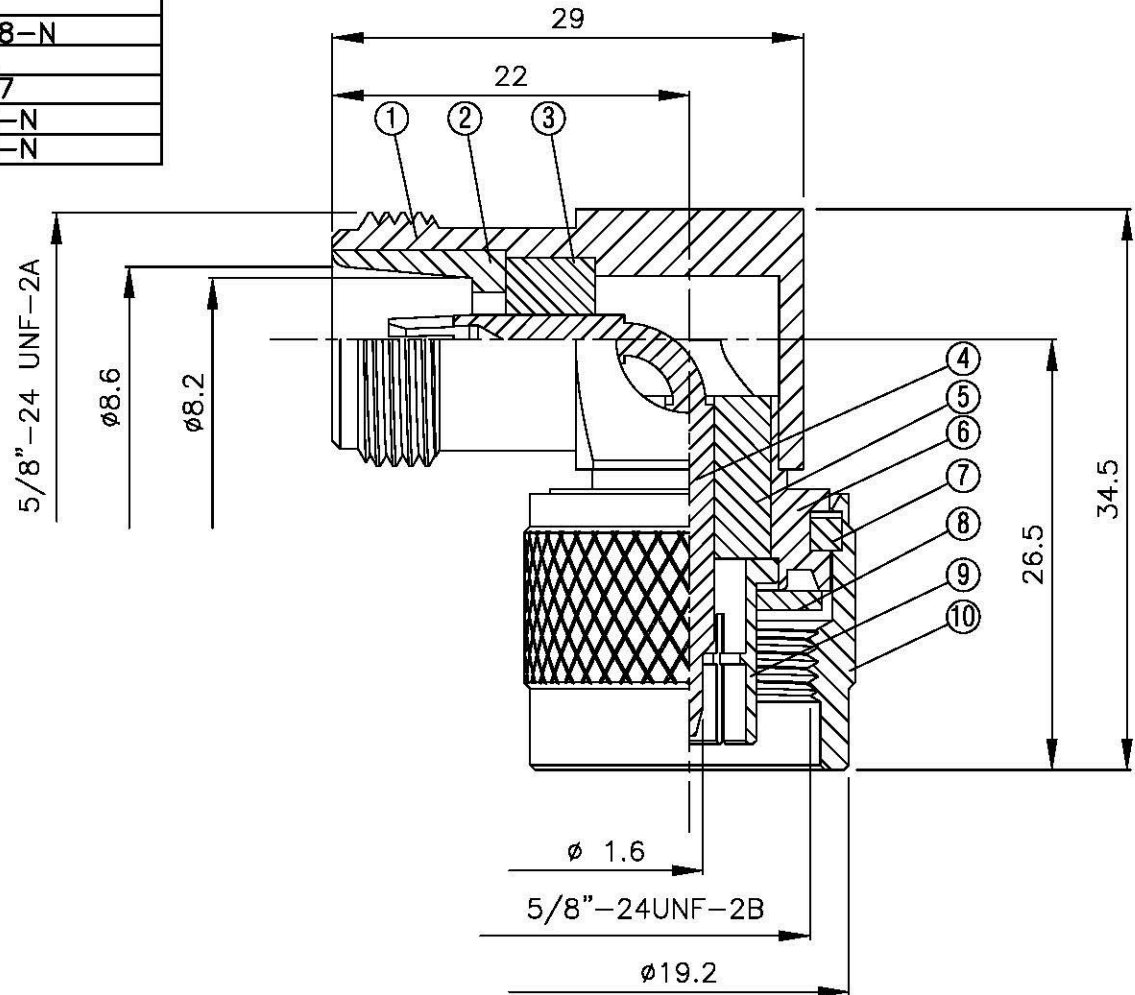
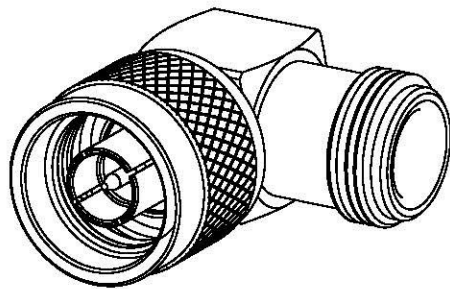


NO	DESCRIPTION	MATERIAL	Q'TY	FINISH	REMARK
1	BODY 1	BRASS	1	NICKEL	B-N0656-N
2	BODY 2	BRASS	1	NICKEL	B-N0320-N
3	INSULATION 1	TEFLON	1	TEFLON	I-0312T
4	PIN	BRASS	1	GOLD	P-N0439-G
5	INSULATION 2	TEFLON	1	TEFLON	I-0313T
6	BODY 3	BRASS	1	NICKEL	B-N0498-N
7	WASHER	PH.BRONZE	1	NICKEL	W-0014
8	GASKET	SI RUBBER	1	RUBBER	RU-0017
9	BODY 4	BRASS	1	NICKEL	N-0032-N
10	BODY 5	BRASS	1	NICKEL	N-0033-N



	<b>All Connectors</b> <small>www.allconnectors.de    info@allconnectors.de          Tel: +49 711 709300    Fax: +49 711 709304          70745 Hildersloh, Germany    Kettelerstr. 25</small>	DRAWN MARY    DATE 96.06.04 CHECKED 蘇志欣    DATE Q.A. 蘇姿潔    DATE APPROVAL 徐燦霖    DATE REVISION    DATE	DIMENSIONS ARE IN MILLIMETERS UNLESS OTHERWISE SPECIFIED TOLERANCE 0.5-5=±0.2    120-315=±1 5-30=±0.4    315-1000=±1.6 30-120±0.6    1000-2000=±2.4	REVISION	
	TITLE N RIGHT ANGLE FEMALE - MALE ADAPTOR	DESCRIPTION    ENGINEER			
	PART NO. N-11-TGN				
	DRAWING NO. N 11 TGN				
	SCALE 4:1    SIZE A				