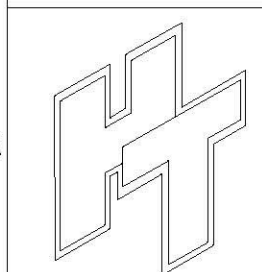
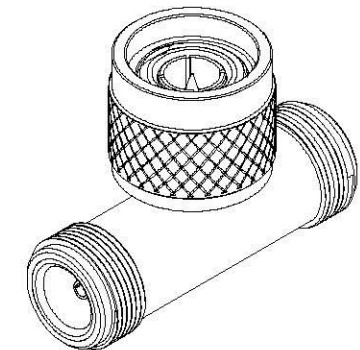
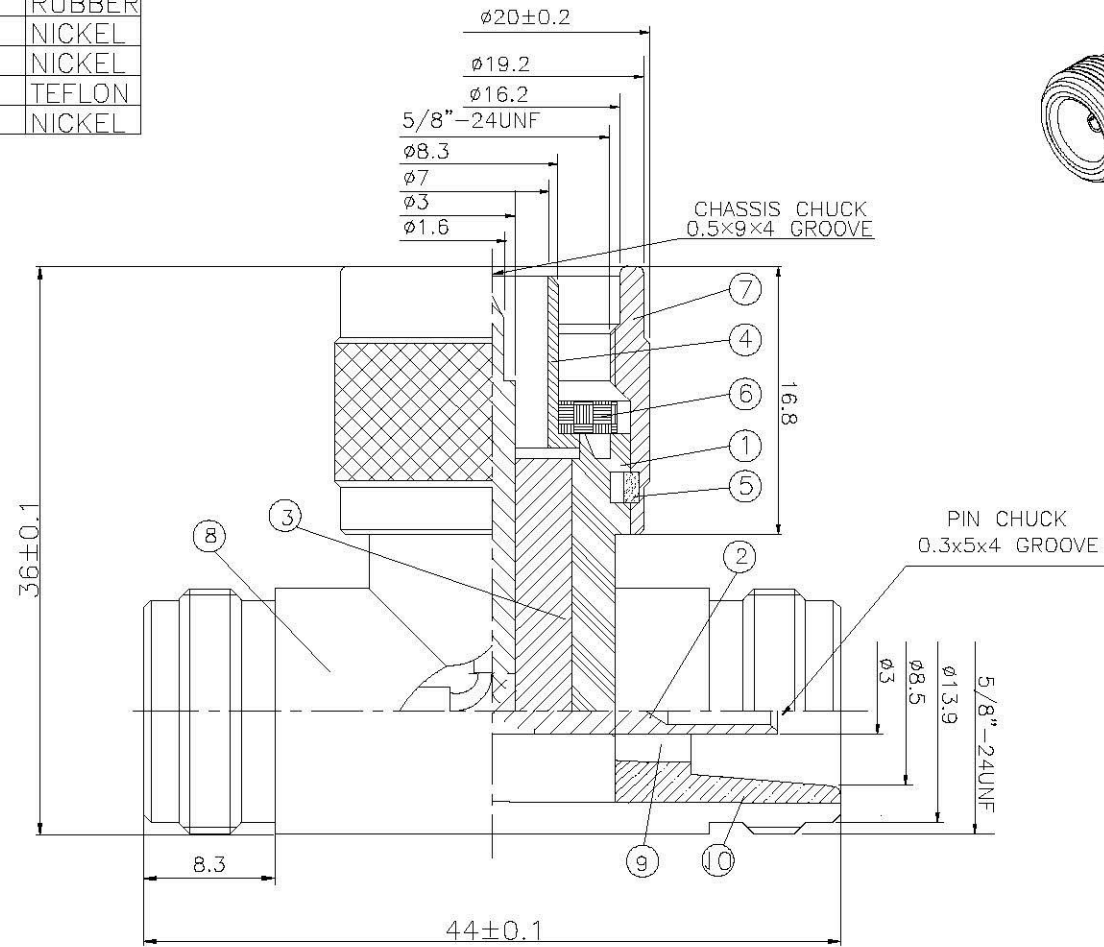


NO	DESCRIPTION	MATERIAL	Q'TY	FINISH
1	BODY 1	BRASS	1	NICKEL
2	PIN	BRASS	1	GOLD
3	INSULATION	TEFLON	1	TEFLON
4	CHASSIS	BRASS	1	NICKEL
5	WASHER	BRASS	1	NICKEL
6	GASKET	SI RUBBER	1	RUBBER
7	SHELL	BRASS	1	NICKEL
8	BODY 2	BRASS	2	NICKEL
9	INSULATION	TEFLON	2	TEFLON
10	CHASSIS	BRASS	2	NICKEL



**All Connectors**  
 www.allconnectors.de info@allconnectors.de  
 TEL: 0049 211 7095003 FAX: 0049 211 7095004  
 70796 Hilderstadt - Germany Kettenmerstr. 28

**TITLE** N ANGLE MALE - FEMALE ADAPTOR  
**PART NO.** N-10-TGN  
**DRAWING NO.** N 10 TGN

**DRAWN** MARY **DATE** 96.06.04  
**CHECKED** 蘇志欣 **DATE**  
**Q.A.** 蘇姿潔 **DATE**  
**APPROVAL** 徐燦霖 **DATE**  
**REVISION** **DATE**

**DIMENSIONS ARE IN MILLIMETERS**  
**UNLESS OTHERWISE SPECIFIED TOLERANCE**  
 0.5-5 = ±0.2 120-315 = ±1  
 5-30 = ±0.4 315-1000 = ±1.6  
 30-120 = ±0.6 1000-2000 = ±2.4

**SCALE** 4:1 **SIZE** A

REVISION	
DESCRIPTION	ENGINEER

4

3

2

1

D

C

B

A

D

C

B

A