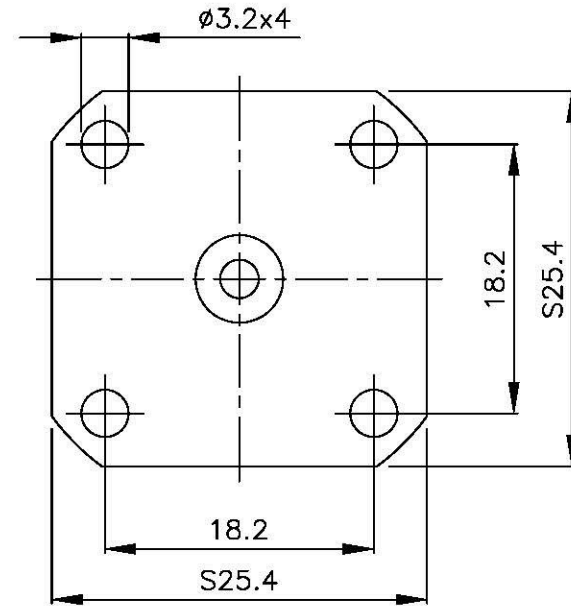
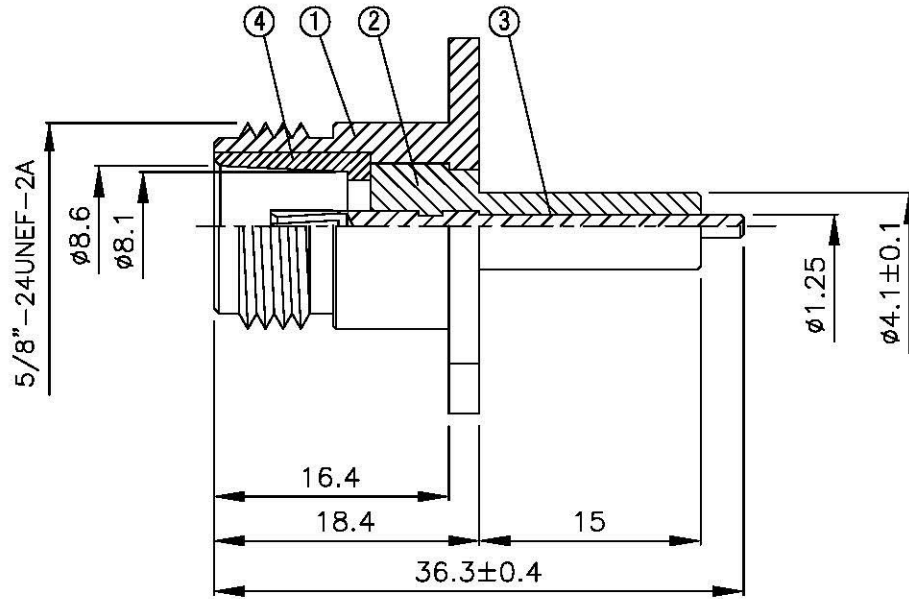
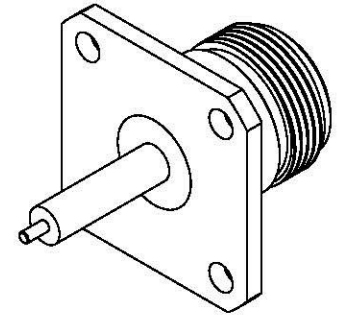
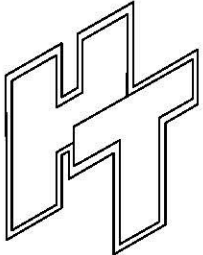



NO	DESCRIPTION	MATERIAL	Q'TY	FINISH	REMARK
1	BODY	BRASS	1	NICKEL	B-N0681-N
2	INSULATION	TEFLON	1	TEFLON	I-0546
3	PIN	BRASS	1	GOLD	P-N0799-G
4	BODY	BRASS	1	GOLD	B-N0320-N



		DRAWN MARY DATE 95.12.18	DIMENSIONS ARE IN MILLIMETERS		REVISION		
	<small>www.allconnectors.de Tel.: 0049 211 209303 70794 Filberstadt - Germany</small>	<small>info@allconnectors.de Fax: 0049 211 209308 Kettnerstr. 25</small>	CHECKED 黄巧君 DATE	UNLESS OTHERWISE SPECIFIED TOLERANCE		DESCRIPTION	ENGINEER
	TITLE N PANEL FEMALE RECEPTACLES		Q.A. 蘇姿潔 DATE	0.5-5=±0.2    120-315=±1			
	PART NO. N-06V9-TGN		APPROVAL 徐燦霖 DATE	5-30=±0.4    315-1000=±1.6			
	DRAWING NO. N 06V9 TGN		REVISION DATE	30-120±0.6    1000-2000=±2.4			
			SCALE 4:1	SIZE A			