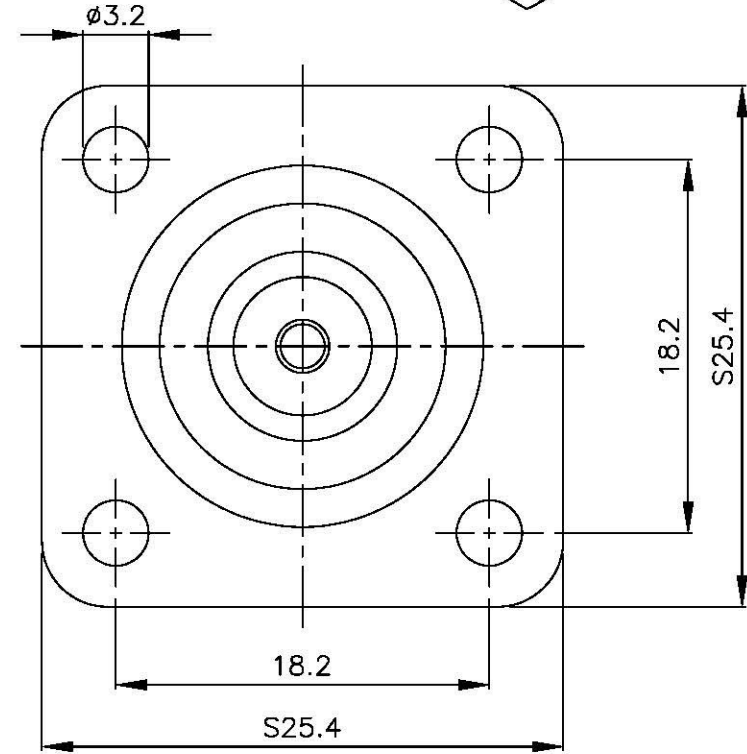
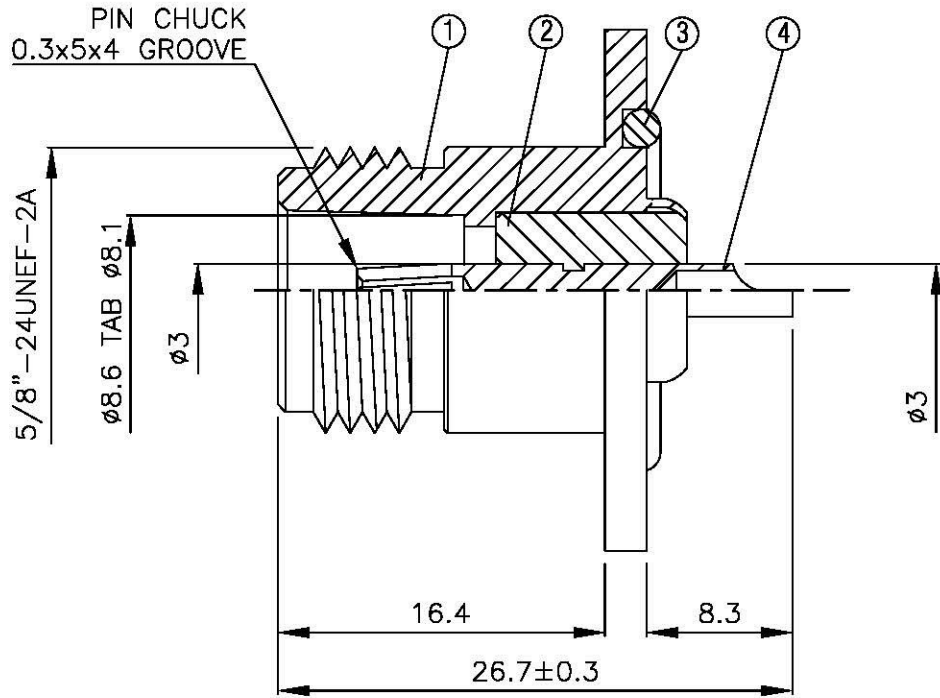
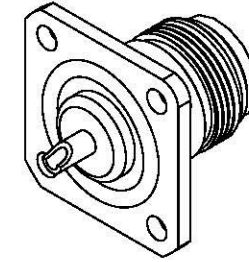


NO	DESCRIPTION	MATERIAL	Q'TY	FINISH	REMARK
1	BODY	BRASS	1	NICKEL	B-N1075-N
2	INSULATION	TEFLON	1	TEFLON	I-0123T
3	GASKET	SI RUBBER	1	RUBBER	RU-0009
4	PIN	BRASS	1	GOLD	P-N0046-G



		DRAWN MARY DATE 89.12.22	DIMENSIONS ARE IN MILLIMETERS		REVISION		
	<small>www.allconnectors.de Tel.: 0049 711 7008008 Zollstraße 10 - Germany</small>	<small>Info: allconnectors.de Fax: 0049 711 7008004 Kellernstraße 2b</small>	CHECKED 沈佳德 DATE	UNLESS OTHERWISE SPECIFIED TOLERANCE		DESCRIPTION	ENGINEER
	TITLE N PANEL FEMALE RECEPTACLES		Q.A. 蘇姿潔 DATE			0.5-5=±0.2    120-315=±1 5-30=±0.4    315-1000=±1.6 30-120±0.6    1000-2000=±2.4	
	PART NO. N-06V8-TGN		APPROVAL 徐燦霖 DATE	SCALE	4:1	SIZE	A
	DRAWING NO. N-06V8-TGN		REVISION DATE				