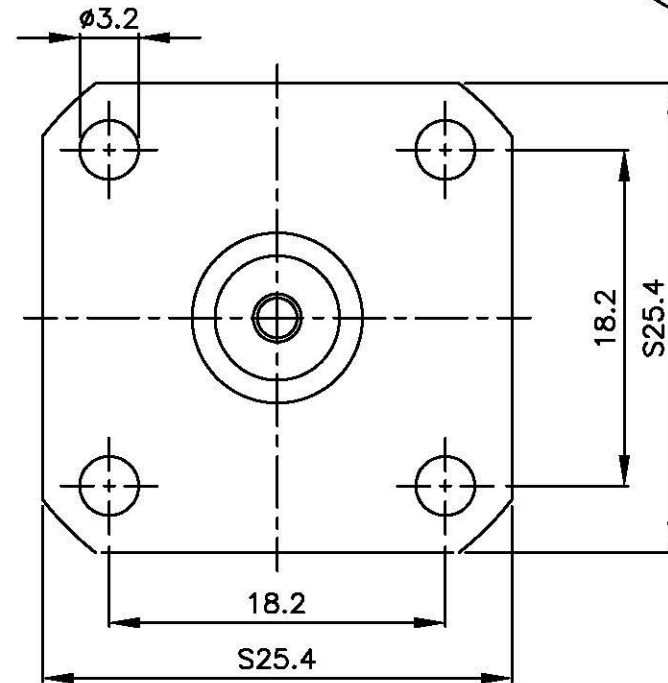
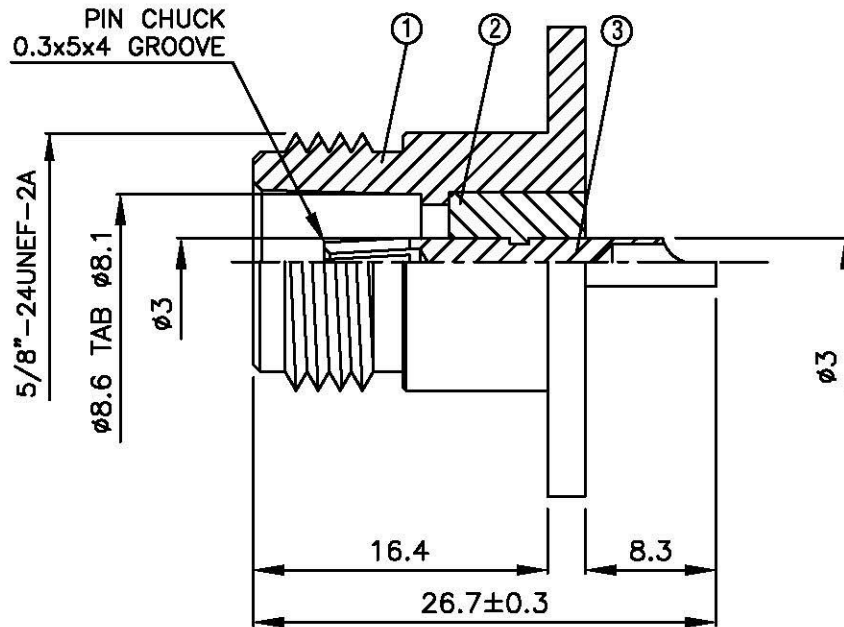
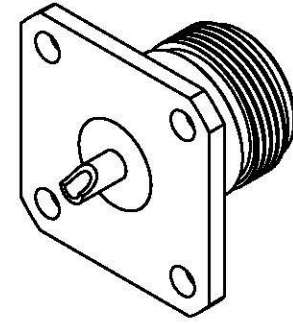
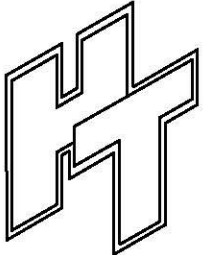


NO	DESCRIPTION	MATERIAL	Q'TY	FINISH	REMARK
1	BODY	BRASS	1	NICKEL	B-N0056-N
2	INSULATION	TEFLON	1	TEFLON	I-0122T
3	PIN	BRASS	1	GOLD	P-N0046-G

**Allconnectors**  
 www.allconnectors.de    info@allconnectors.de  
 Tel: +0049 711 7009503    Fax: +0049 711 7009504  
 20754 Hildesheim - Germany    Kattenbergstr. 25

TITLE: N PANEL FEMALE RECEPTACLES  
 PART NO.: N-06V7-TGN  
 DRAWING NO.: N 06V7 TGN

DRAWN	MARY	DATE	96.06.04
CHECKED	蘇志欣	DATE	
Q.A.	蘇姿潔	DATE	
APPROVAL	徐燦霖	DATE	
REVISION		DATE	

DIMENSIONS ARE IN MILLIMETERS			
UNLESS OTHERWISE SPECIFIED TOLERANCE			
0.5-5=±0.2	120-315=±1		
5-30=±0.4	315-1000=±1.6		
30-120±0.6	1000-2000=±2.4		
SCALE	4:1	SIZE	A

REVISION	
DESCRIPTION	ENGINEER