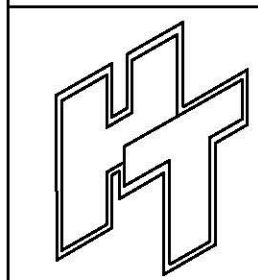
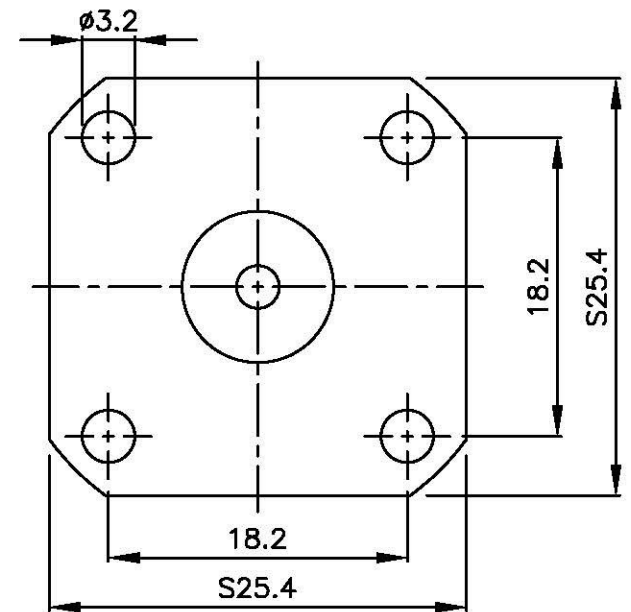
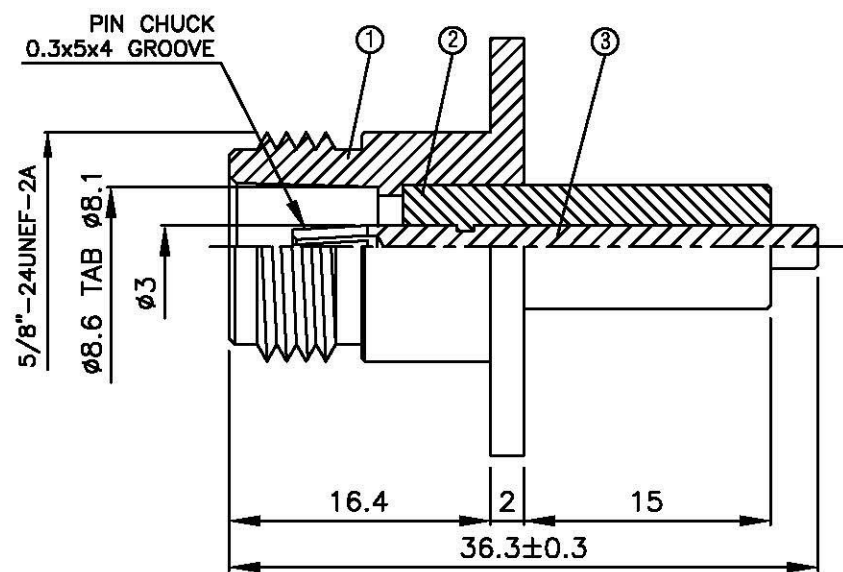
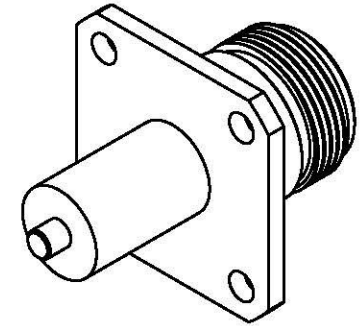


NO	DESCRIPTION	MATERIAL	Q'TY	FINISH	REMARK
1	BODY	BRASS	1	NICKEL	B-N0056-N
2	INSULATION	TEFLON	1	TEFLON	I-0124T
3	PIN	BRASS	1	GOLD	P-N0048-G



**All Connectors**  
 www.allconnectors.com info@allconnectors.com  
 Tel: +49 39 35 711 7000 Fax: +49 39 35 711 7000  
 20794 Niebelsdorf - Germany Kettnerstr. 25

TITLE  
N PANEL FEMALE RECEPTACLES

PART NO.  
N-06V6-TGN

DRAWING NO.  
N 06V6 TGN

DRAWN MARY DATE 96.06.04

CHECKED 蘇志欣 DATE

Q.A. 蘇姿潔 DATE

APPROVAL 徐燦霖 DATE

REVISION DATE

DIMENSIONS ARE IN MILLIMETERS

UNLESS OTHERWISE SPECIFIED TOLERANCE

0.5-5=±0.2	120-315=±1
5-30=±0.4	315-1000=±1.6
30-120±0.6	1000-2000=±2.4

SCALE 4:1 SIZE A

REVISION	
DESCRIPTION	ENGINEER