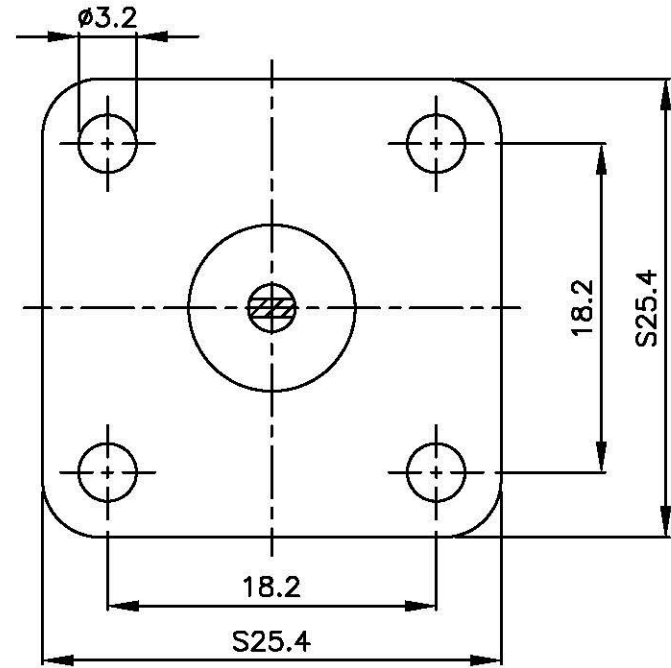
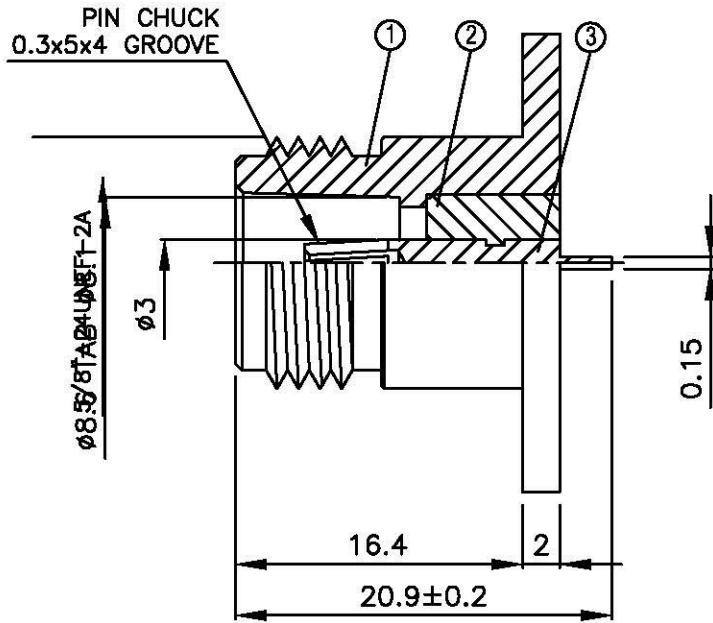
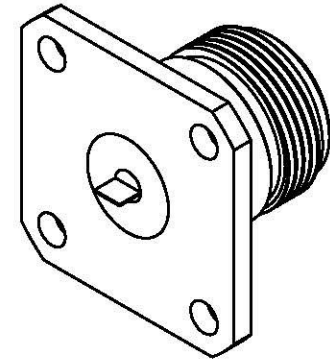
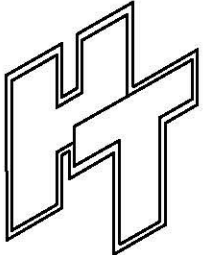


NO	DESCRIPTION	MATERIAL	Q'TY	FINISH	REMARK
1	BODY	BRASS	1	NICKEL	B-N0056-N
2	INSULATION	TEFLON	1	TEFLON	I-0122T
3	PIN	BRASS	1	GOLD	P-N0045-G

Allconnectors
 www.allconnectors.de
 Tel.: 0049 711 7005503
 70794 Filzschachtel - Germany

info@allconnectors.de
 Fax: 0049 711 7005504
 Karmelstraße, 35

TITLE
N PANEL FEMALE RECEPTACLES

PART NO.
N-06V4-TGN

DRAWING NO.
N 06V4 TGN

DRAWN	MARY	DATE	96.06.04
CHECKED	蘇志欣	DATE	
Q.A.	蘇姿潔	DATE	
APPROVAL	徐燦霖	DATE	
REVISION		DATE	

DIMENSIONS ARE IN MILLIMETERS			
UNLESS OTHERWISE SPECIFIED TOLERANCE			
0.5-5=±0.2	120-315=±1		
5-30=±0.4	315-1000=±1.6		
30-120±0.6	1000-2000=±2.4		
SCALE	4:1	SIZE	A

REVISION	
DESCRIPTION	ENGINEER