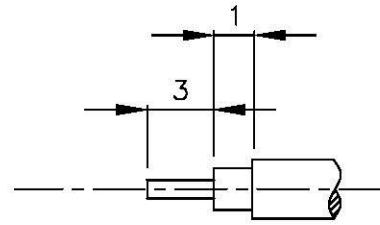
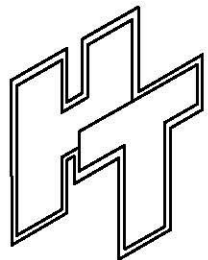
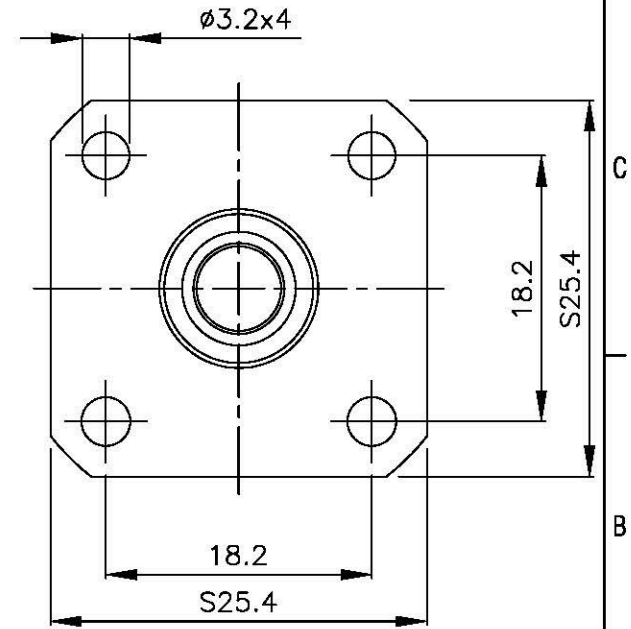
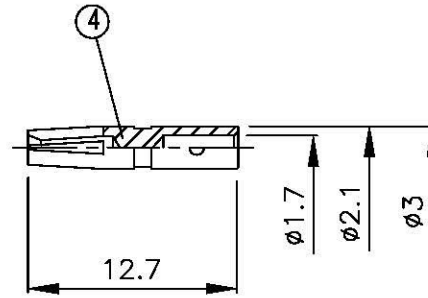
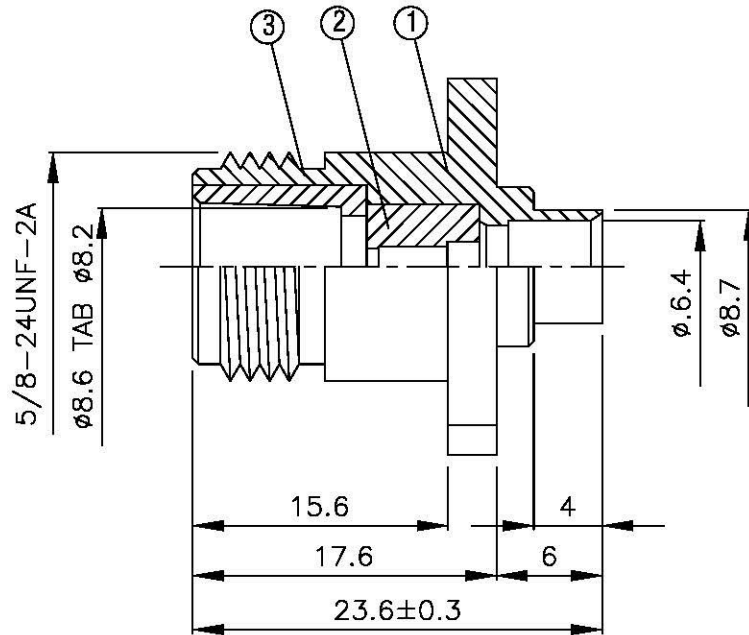
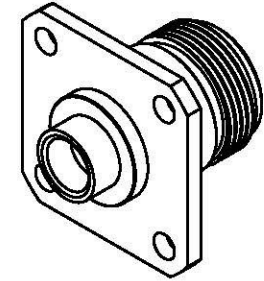


NO	DESCRIPTION	MATERIAL	Q'TY	FINISH
1	BODY 1	BRASS	1	NICKEL
2	INSULATION	TEFLON	1	TEFLON
3	BODY 2	BRASS	1	NICKEL
4	PIN	BRASS	1	GOLD



(Recommended Stripping Dimension)



**All Connectors**

www.allconnectors.de  
Tel.: 0049 731 7003503  
70794 Iloerstadt - Germany

info@allconnectors.de  
Fax: 0049 731 7003504  
Kettnerstr. 2b

TITLE N FEMALE SOLDER FOR .250

PART NO. N-06V3-TGN

DRAWING NO. N 06V3 TGN

DRAWN MARY DATE 96.02.05

CHECKED 黄巧君 DATE

Q.A. 蘇姿潔 DATE

APPROVAL 徐燦霖 DATE

REVISION DATE

DIMENSIONS ARE IN MILLIMETERS

UNLESS OTHERWISE SPECIFIED TOLERANCE

0.5-5=±0.2 120-315=±1

5-30=±0.4 315-1000=±1.6

30-120±0.6 1000-2000=±2.4

SCALE 4:1 SIZE A

REVISION

DESCRIPTION	ENGINEER