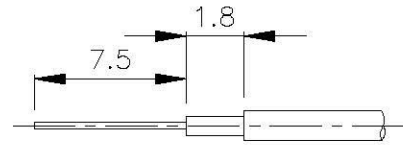
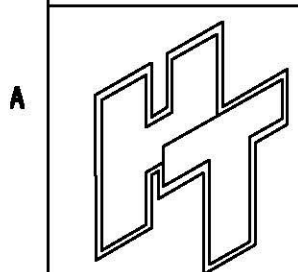
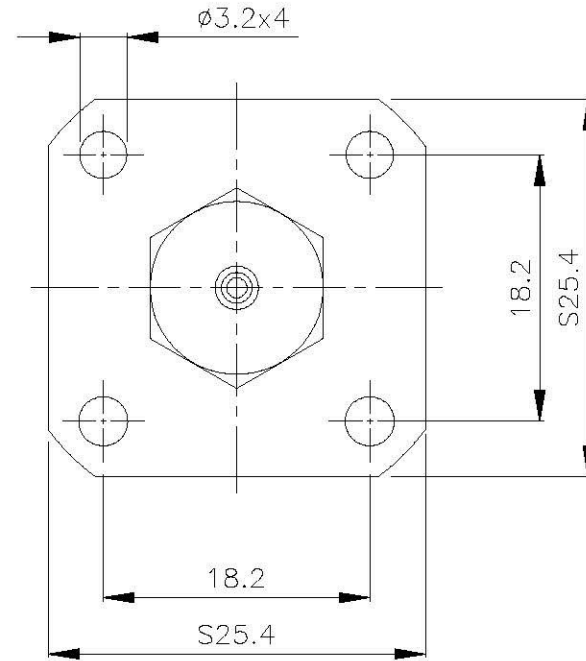
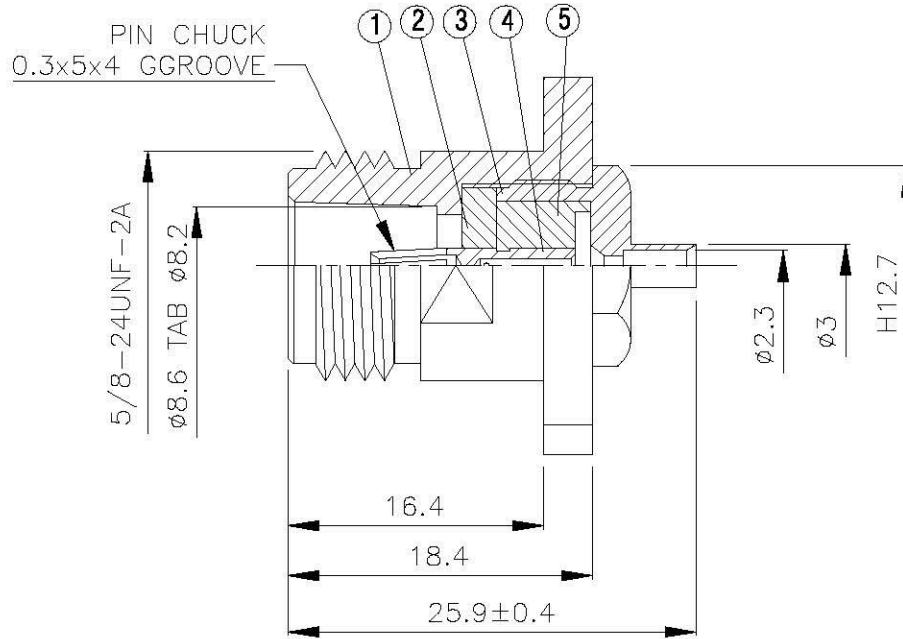
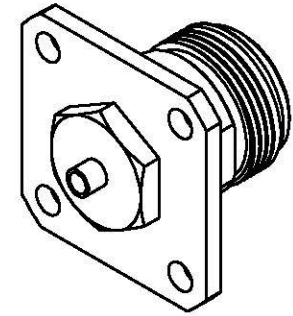


NO	DESCRIPTION	MATERIAL	Q'TY	FINISH	REMARK
1	BODY 1	BRASS	1	NICKEL	B-N0552-N
2	INSULATION 1	TEFLON	1	TEFLON	I-0264T
3	BODY 2	BRASS	1	NICKEL	B-N0054-N
4	PIN	BRASS	1	GOLD	P-N0357-G
4	INSULATION 2	TEFLON	1	TEFLON	I-0120T



(Recommended Stripping Dimension)



All Connectors
 www.allconnectors.de
 Tel.: 0049 711 7005003
 70794 Filberstadt, Germany
 info@allconnectors.de
 Fax: 0049 711 7005004
 Kollmannstr. 25

TITLE N FEMALE SOLDER FOR
RG 405 (.085)

PART NO. N-06V1-TGN

DRAWING NO. N 06V1 TGN

DRAWN MARY
CHECKED 蘇志欣
Q.A. 蘇姿潔
APPROVAL 徐燦霖
REVISION

DATE 96.06.13
DATE
DATE
DATE

DIMENSIONS ARE IN MILLIMETERS

UNLESS OTHERWISE SPECIFIED TOLERANCE

0.5-5=±0.2 120-315=±1
 5-30=±0.4 315-1000=±1.6
 30-120±0.6 1000-2000=±2.4

SCALE 4:1 **SIZE** A

REVISION

REVISION	DESCRIPTION	ENGINEER