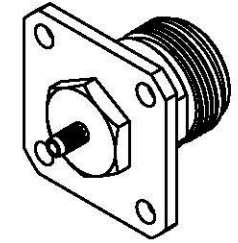
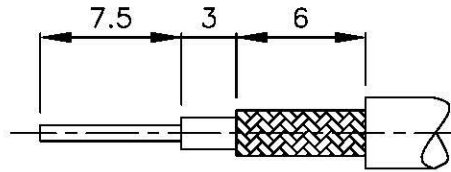
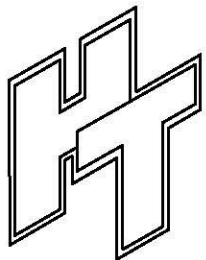
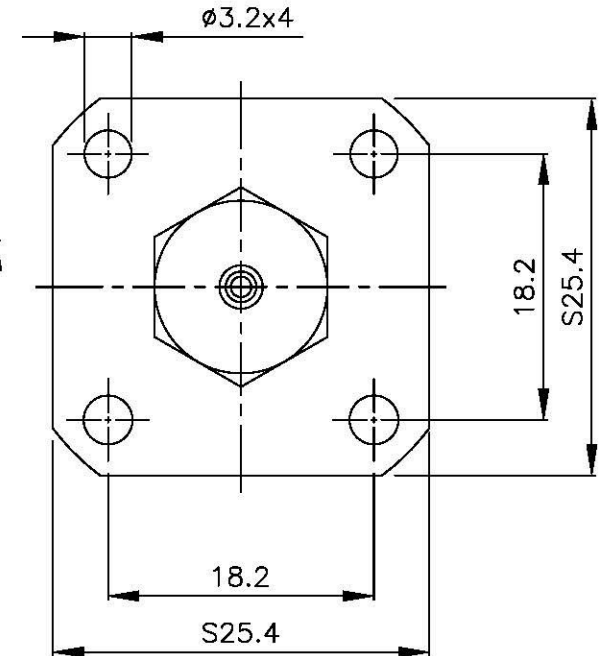
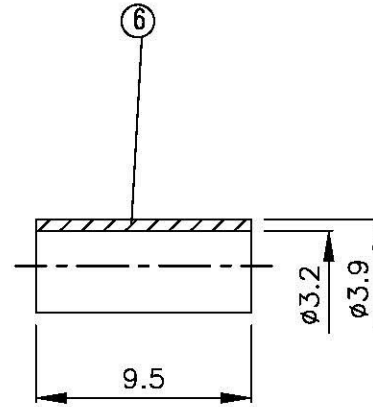
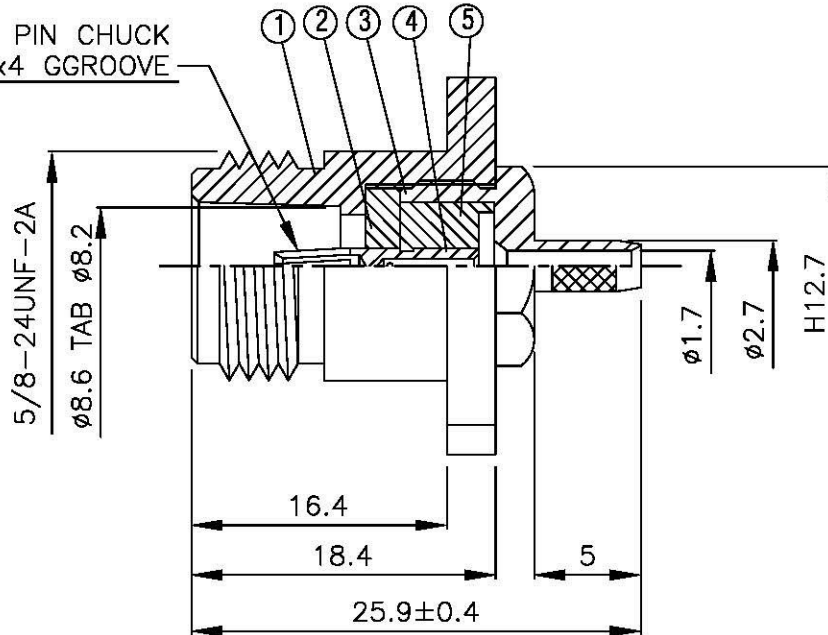


NO	DESCRIPTION	MATERIAL	Q'TY	FINISH	REMARK
1	BODY 1	BRASS	1	NICKEL	B-N0552-N
2	INSULATION 1	TEFLON	1	TEFLON	I-0264T
3	BODY 2	BRASS	1	NICKEL	B-N0053-N
4	PIN	BRASS	1	GOLD	P-N0357-G
5	INSULATION 2	TEFLON	1	TEFLON	I-0120T
6	RING	BRASS	1	NICKEL	R-0002-N



(Recommended Stripping Dimension)

PIN CHUCK
0.3x5x4 GGROOVE



Allconnectors

www.allconnectors.de info@allconnectors.de
Tel.: 0049 711 409505 Fax: 0049 711 409504
70734 Filderstadt - Germany Keilbergstr. 25

TITLE N FEMALE CRIMP FOR
FOR RG-174/U

PART NO. N-06LV1-TGN

DRAWING NO. N 06LV1 TGN

DRAWN MARY DATE 96.06.06

CHECKED 蘇志欣

Q.A. 蘇姿潔

APPROVAL 徐燦霖

REVISION

DATE

DATE

DATE

DATE

DIMENSIONS ARE IN MILLIMETERS

UNLESS OTHERWISE SPECIFIED
TOLERANCE

0.5-5=±0.2 120-315=±1

5-30=±0.4 315-1000=±1.6

30-120±0.6 1000-2000=±2.4

SCALE 4:1 SIZE A

REVISION

DESCRIPTION ENGINEER