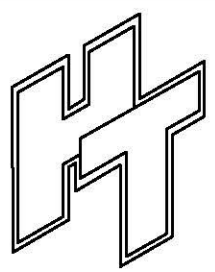
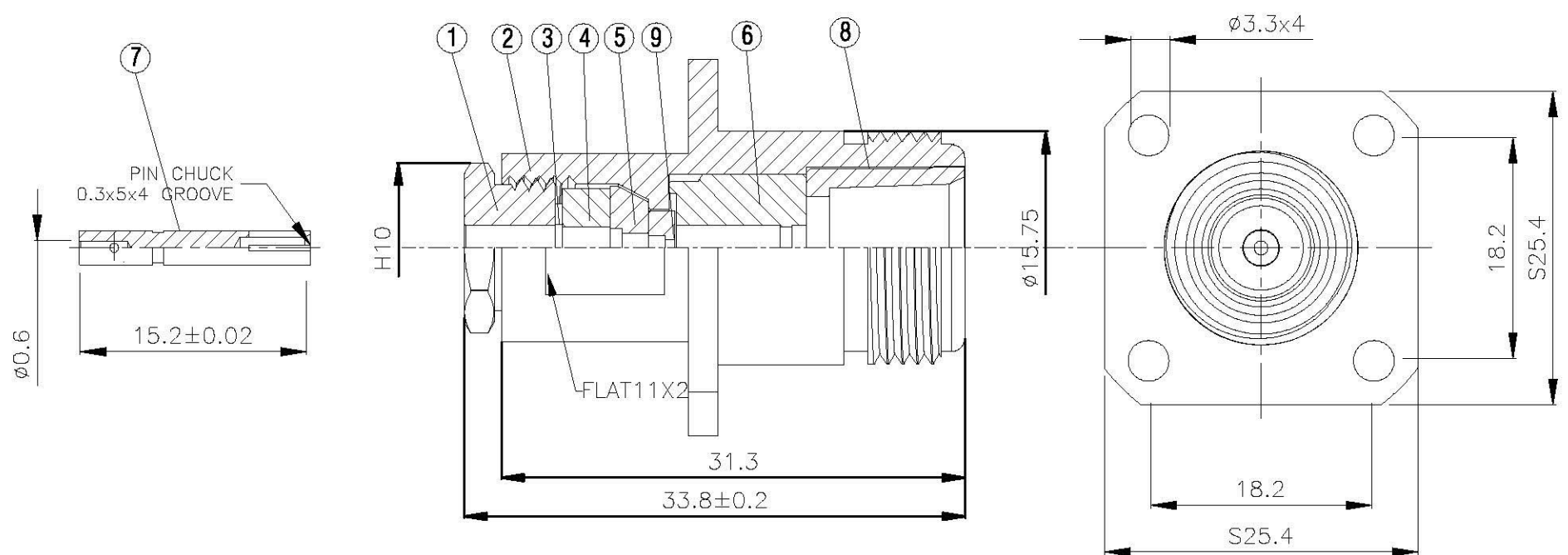
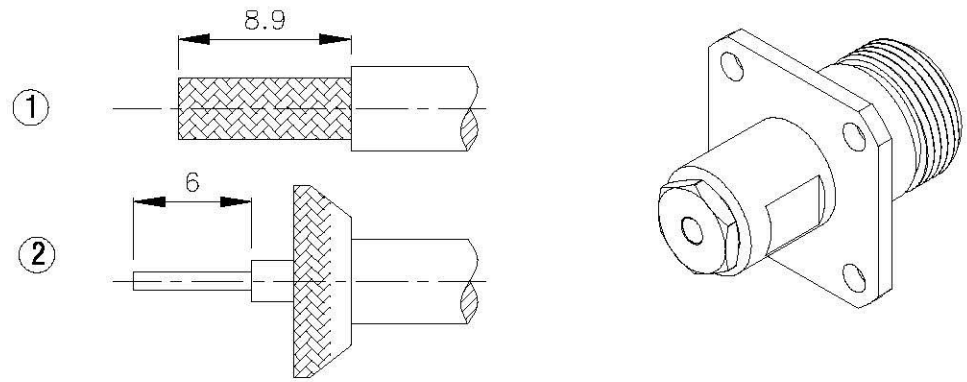


NO	DESCRIPTION	MATERIAL	Q'TY	FINISH	REMARK
1	NUT	BRASS	1	NICKEL	N-0067-N
2	BODY 1	BRASS	1	NICKEL	B-N1492-N
3	WASHER 1	BRASS	1	NICKEL	W-0083-N
4	RUBBER	SI RUBBER	1	RUBBER	RU-0052
5	WASHER 2	BRASS	1	NICKEL	W-0085-N
6	INSULATION	TEFLON	1	TEFLON	I-0171T
7	PIN	BRASS	1	GOLD	P-N0837-G
8	BODY 2	BRASS	1	NICKEL	B-N0320-N
9	INSULATION	TEFLON	1	TEFLON	I-0088T



Allconnectors
 www.allconnectors.de info@allconnectors.de
 70794 Filderstadt, Germany Kettelerstr. 25

TITLE N FEMALE CLAMP FOR FOR RG-174/U

PART NO. N-06LV1-TGN-1

DRAWING NO. N 06LV1 TGN -1

DRAWN 蘇姿潔 **DATE** 98.10.14

CHECKED 蘇志欣 **DATE**

Q.A. 林妙樺 **DATE**

APPROVAL 徐燦霖 **DATE**

REVISION **DATE**

DIMENSIONS ARE IN MILLIMETERS

UNLESS OTHERWISE SPECIFIED TOLERANCE

0.5-5=±0.2 120-315=±1
 5-30= ±0.4 315-1000=±1.6
 30-120±0.6 1000-2000=±2.4

SCALE 4:1 **SIZE** A

REVISION	
DESCRIPTION	ENGINEER