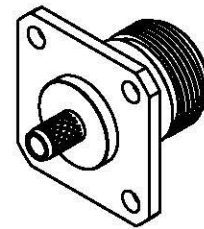
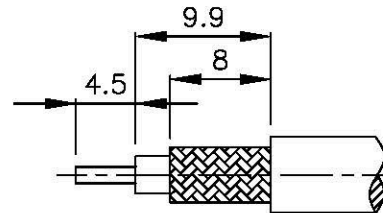
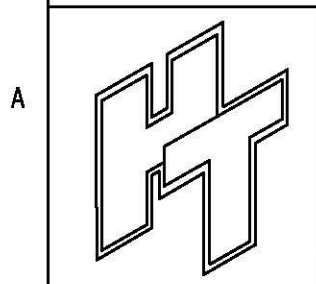
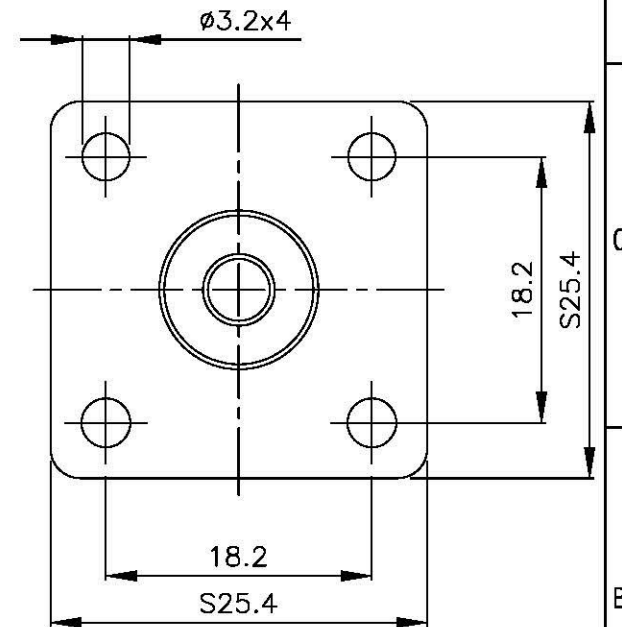
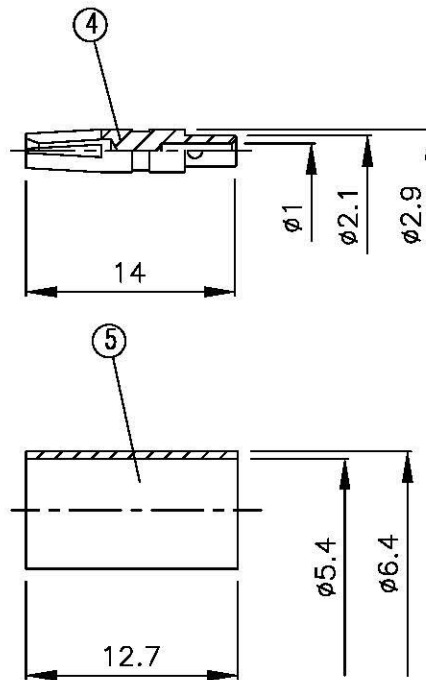
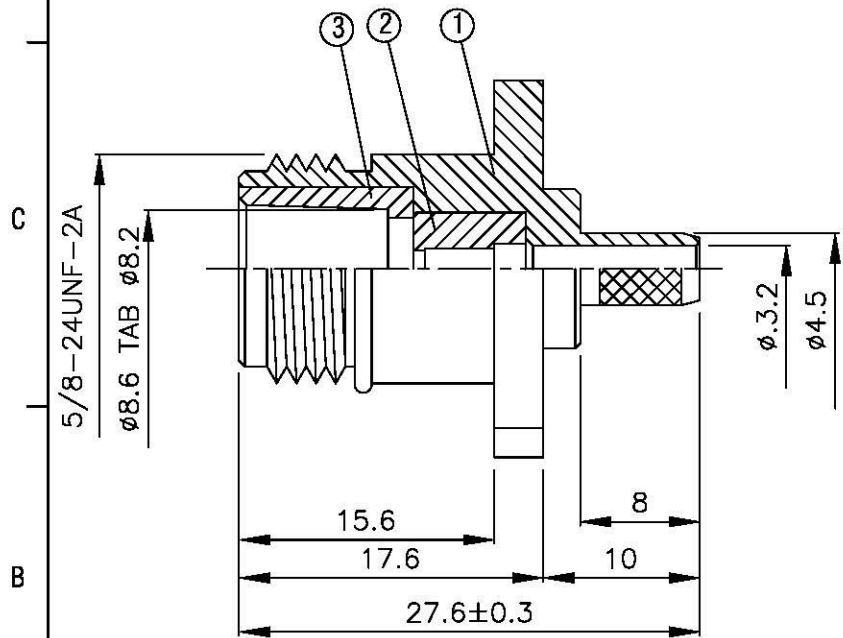


NO	DESCRIPTION	MATERIAL	Q'TY	FINISH	REMARK
1	BODY 1	BRASS	1	NICKEL	B-N0518-N
2	INSULATION	TEFLON	1	TEFLON	I-0096T
3	BODY 2	BRASS	1	NICKEL	B-N0320-N
4	PIN	BRASS	1	GOLD	P-N0013-G
5	RING	BRASS	1	NICKEL	R-0007-N



(Recommended Stripping Dimension)



<small>www.allconnectors.de Tel: +49 4303 213 200/205 All-Net Halderstraße - Germany</small>	<small>info@allconnectors.de Tel: +49 4303 213 200/205 Kettensportstr. 20</small>
TITLE	N FEMALE CRIMP FOR RG 58/U, 141 A/U
PART NO.	N-06F-TGN
DRAWING NO.	N 06F TGN

DRAWN	MARY	DATE	96.06.11
CHECKED	黄巧君	DATE	
Q.A.	蘇姿潔	DATE	
APPROVAL	徐燦霖	DATE	
REVISION		DATE	

DIMENSIONS ARE IN MILLIMETERS			
UNLESS OTHERWISE SPECIFIED TOLERANCE			
0.5-5=±0.2	120-315=±1		
5-30=±0.4	315-1000=±1.6		
30-120±0.6	1000-2000=±2.4		
SCALE	4:1	SIZE	A

REVISION	
DESCRIPTION	ENGINEER