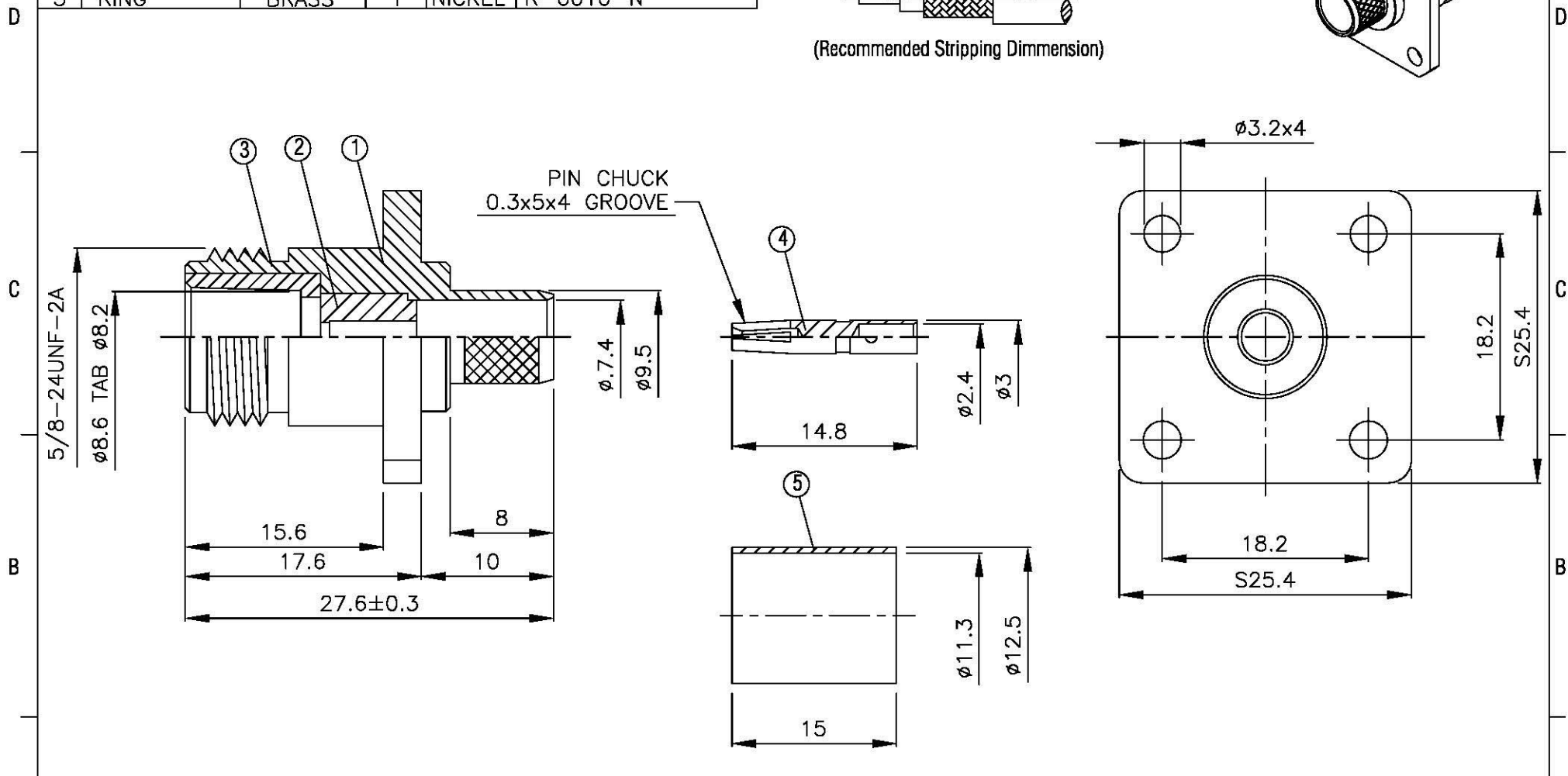
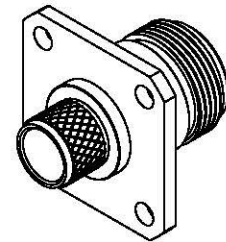
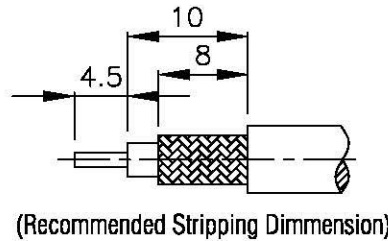


NO	DESCRIPTION	MATERIAL	Q'TY	FINISH	REMARK
1	BODY 1	BRASS	1	NICKEL	B-N0519-N
2	INSULATION	TEFLON	1	TEFLON	I-0125T
3	BODY 2	BRASS	1	NICKEL	B-N0320-N
4	PIN	BRASS	1	GOLD	P-N0055-G
5	RING	BRASS	1	NICKEL	R-0010-N



	All Connectors <small>www.allconnectors.de info@allconnectors.de Tel: 0049 (0)31 900560 Fax: 0049 (0)31 900501 28734 Eilbichell - Germany R&D Empsch. 25</small>		DRAWN MARY CHECKED 蘇志欣 Q.A. 蘇姿潔 APPROVAL 徐燦霖 REVISION	DATE 96.06.11 DATE DATE DATE	DIMENSIONS ARE IN MILLIMETERS UNLESS OTHERWISE SPECIFIED TOLERANCE 0.5-5=±0.2 120-315=±1 5-30= ±0.4 315-1000=±1.6 30-120±0.6 1000-2000=±2.4	REVISION	
	TITLE N FEMALE CRIMP FOR RG 213/U					DESCRIPTION	ENGINEER
	PART NO. N-06B-TGN						
	DRAWING NO. N 06B TGN						
						SCALE 4:1	SIZE A