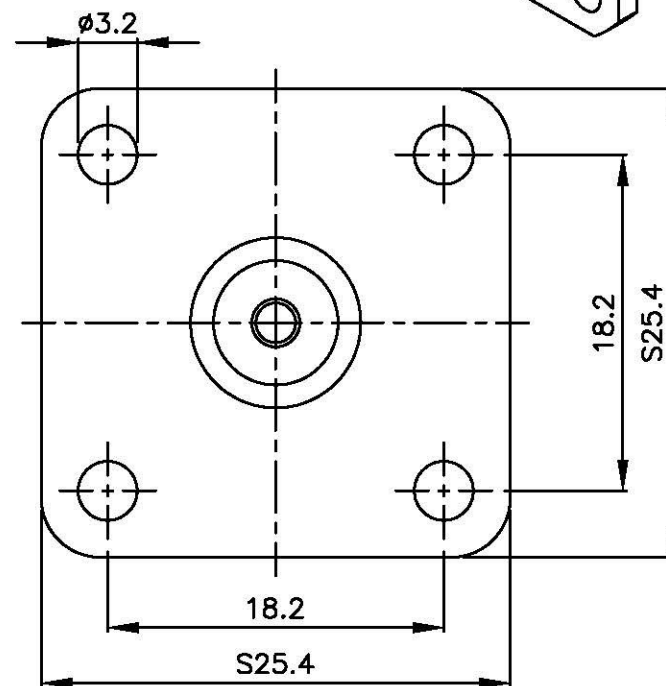
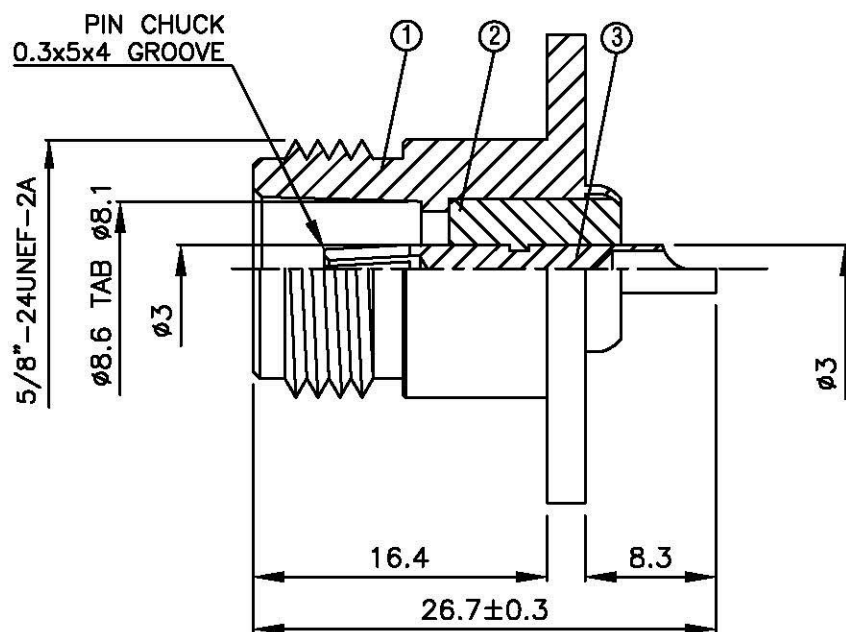
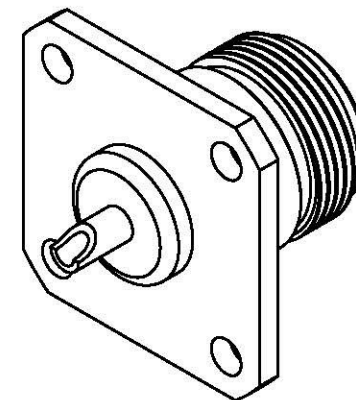


NO	DESCRIPTION	MATERIAL	Q'TY	FINISH	REMARK
1	BODY	BRASS	1	NICKEL	B-N0057-N
2	INSULATION	TEFLON	1	TEFLON	I-0123T
3	PIN	BRASS	1	GOLD	P-N0046-G



		DRAWN	MARY	DATE	96.06.04	DIMENSIONS ARE IN MILLIMETERS		REVISION		
	<small>www.allconnectors.de Tel: 0049 711 7009005 70745 Hildersloh, Germany</small>	<small>Info: allconnectors.de Fax: 0049 711 7009004 Reduzierung: 25</small>	CHECKED	黄巧君	DATE		UNLESS OTHERWISE SPECIFIED TOLERANCE		DESCRIPTION	ENGINEER
	TITLE		Q.A.	蘇姿潔	DATE		0.5-5=±0.2	120-315=±1		
	PART NO.		APPROVAL	徐燦霖	DATE		5-30=±0.4	315-1000=±1.6		
	DRAWING NO.		REVISION		DATE		30-120±0.6	1000-2000=±2.4		
						SCALE	4:1	SIZE	A	

D

D

C

C

B

B

A

A

4

3

2

1