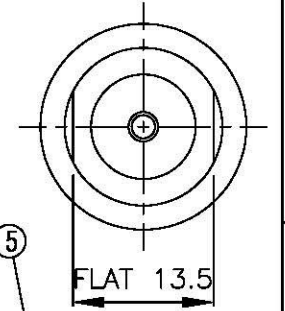
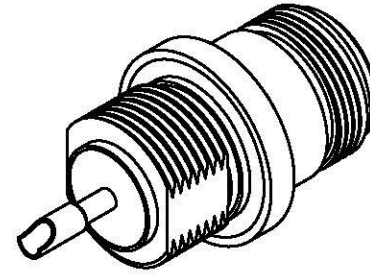
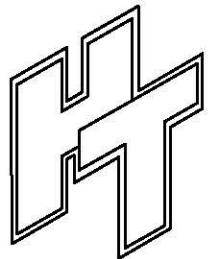
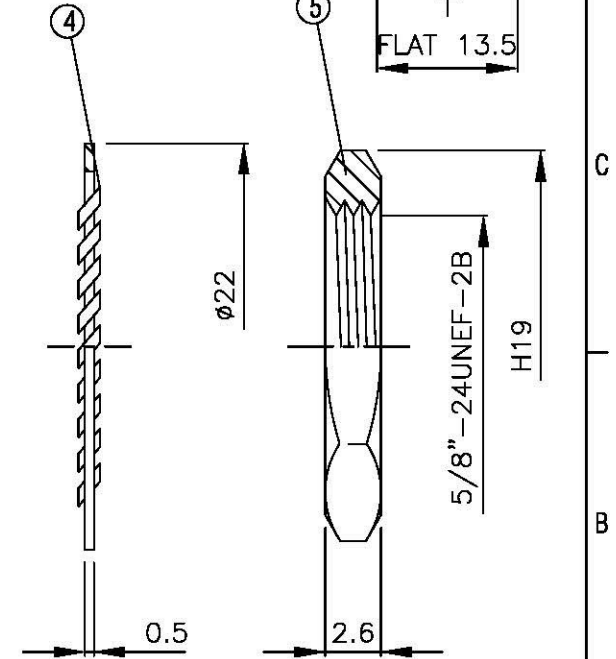
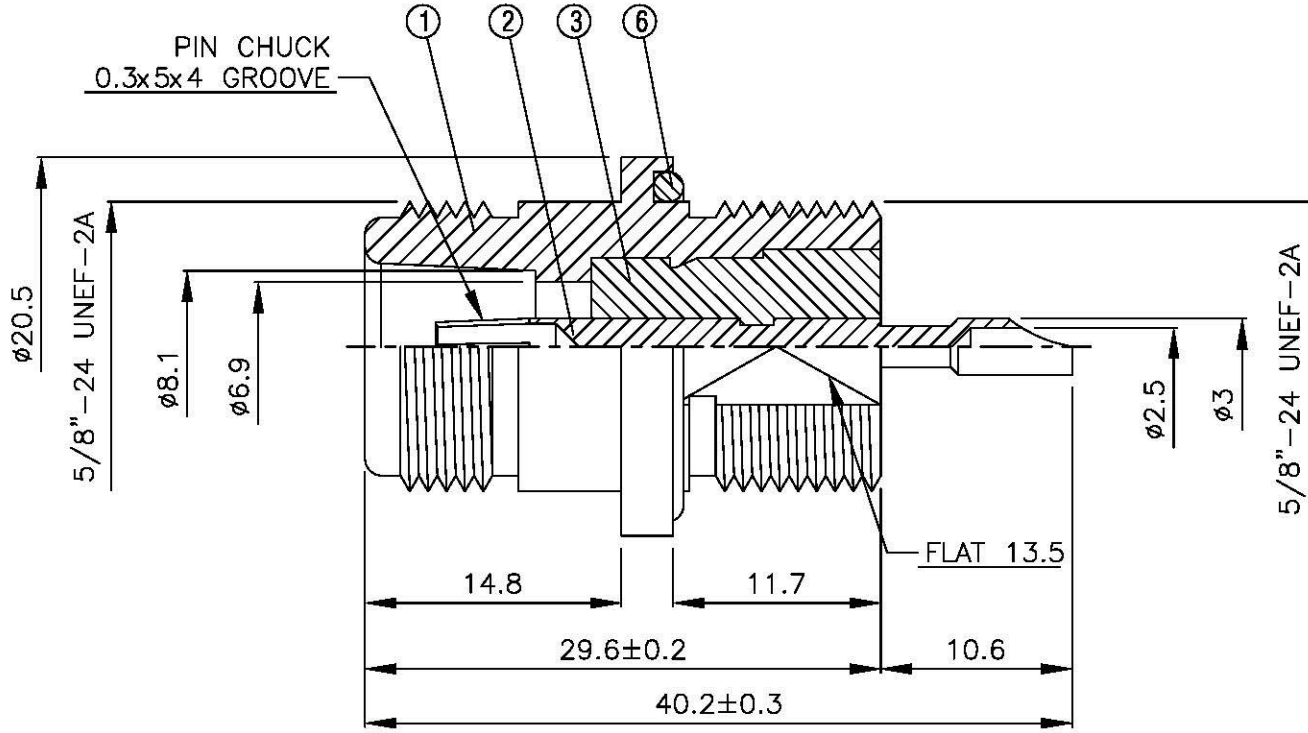


NO	DESCRIPTION	MATERIAL	Q'TY	FINISH	REMARK
1	BODY	BRASS	1	NICKEL	B-N0164-N
2	PIN	BRASS	1	GOLD	P-N0111-G
3	INSULATION	TEFLON	1	TEFLON	I-0107T
4	WASHER	BRASS	1	NICKEL	W-0005-N
5	NUT	BRASS	1	NICKEL	N-0007-N
6	GASKET	SI RUBBER	1	RUBBER	RU-0009



PIN CHUCK
0.3x5x4 GROOVE



All Connectors

www.allconnectors.de
Tel.: 0049 (0) 209 9508
70794 Ulm/Lehrstadt - Germany

info@allconnectors.de
Fax: 0049 (0) 209 9504
Kulmbacher Str. 25

TITLE
N FEMALE RECEPTACLE

PART NO.
N-05V4-TGN

DRAWING NO.
N 05V4 TGN

DRAWN MARY DATE 96.06.04

CHECKED 蘇志欣 DATE

Q.A. 蘇姿潔 DATE

APPROVAL 徐燦霖 DATE

REVISION DATE

DIMENSIONS ARE IN MILLIMETERS

UNLESS OTHERWISE SPECIFIED TOLERANCE

0.5-5=±0.2 120-315=±1

5-30=±0.4 315-1000=±1.6

30-120±0.6 1000-2000=±2.4

SCALE 4:1 SIZE A

REVISION

DESCRIPTION ENGINEER