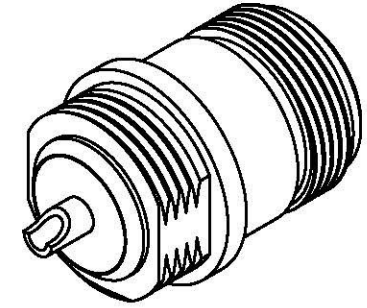
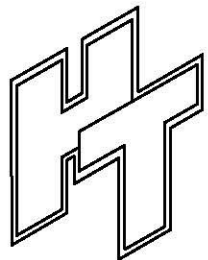
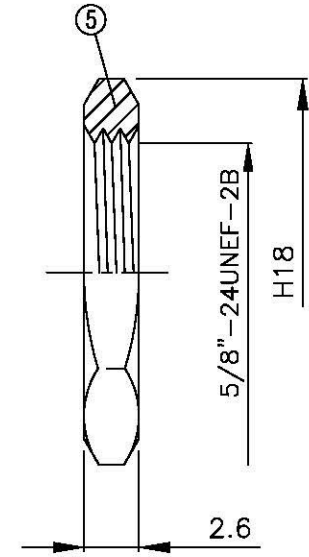
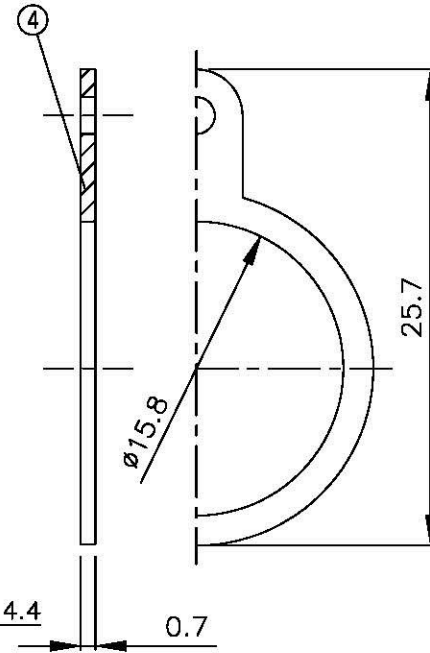
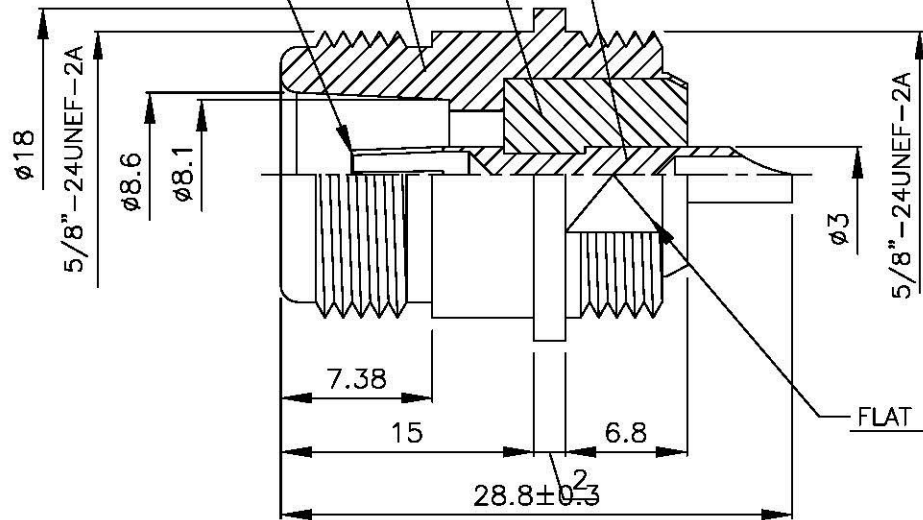


NO	DESCRIPTION	MATERIAL	Q'TY	FINISH	REMARK
1	BODY	BRASS	1	NICKEL	B-N0268-N
2	INSULATION	TEFLON	1	TEFLON	I-0123T
3	PIN	BRASS	1	GOLD	P-N0155-G
4	WASHER	BRASS	1	NICKEL	W-0034-N
5	NUT	BRASS	1	NICKEL	N-0009-N



PIN CHUCK
0.3x5x4 GROOVE



All Connectors

www.allconnectors.de
Tel: +49 4102 733 2000/400
35793 Glinde, Staff - Germany
info@allconnectors.de
Fax: +49 4102 733 2002/400
E-Mail: sales@allconnectors.de

TITLE **N FEMALE RECEPTACLE**

PART NO. **N-05-TGN**

DRAWING NO. **N 05 TGN**

DRAWN **MARY** DATE **96.06.04**

CHECKED **蘇志欣** DATE

Q.A. **蘇姿潔** DATE

APPROVAL **徐燦霖** DATE

REVISION DATE

DIMENSIONS ARE IN MILLIMETERS

UNLESS OTHERWISE SPECIFIED
TOLERANCE
0.5-5 = ± 0.2 120-315 = ± 1
5-30 = ± 0.4 315-1000 = ± 1.6
30-120 = ± 0.6 1000-2000 = ± 2.4

SCALE **4:1** SIZE **A**

REVISION

DESCRIPTION ENGINEER