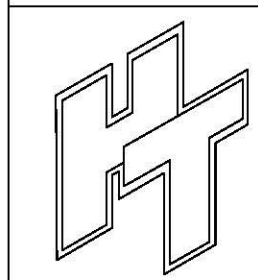
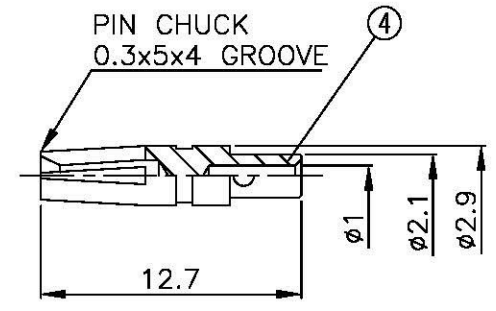
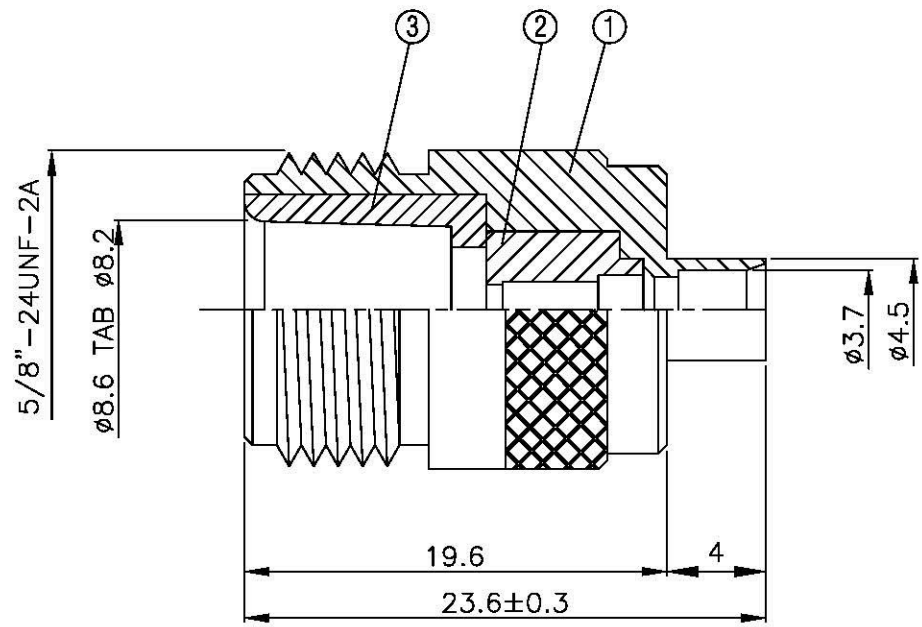
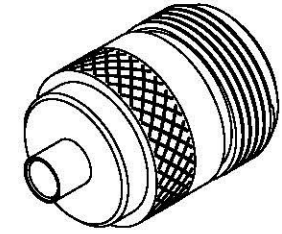


NO	DESCRIPTION	MATERIAL	Q'TY	FINISH	REMARK
1	BODY 1	BRASS	1	NICKEL	B-N0521-N
2	INSULATION	TEFLON	1	TEFLON	I-0096T
3	BODY 2	BRASS	1	NICKEL	B-N0320-N
4	PIN	BRASS	1	GOLD	P-N0013-N



All Connectors
 www.allconnectors.de info@allconnectors.de
 Tel: +49 7141 707054 Fax: +49 7141 707051
 30794 Eilertshausen - Germany Ref: 1000-111-25

TITLE N FEMALE SOLDER FOR RG-402 (.141)
PART NO. N-04V2-TGN
DRAWING NO. N 04V2 TGN

DRAWN MARY **DATE** 96.06.18
CHECKED 蘇志欣 **DATE**
Q.A. 蘇姿潔 **DATE**
APPROVAL 徐燦霖 **DATE**
REVISION **DATE**

DIMENSIONS ARE IN MILLIMETERS
UNLESS OTHERWISE SPECIFIED TOLERANCE
 0.5-5=±0.2 120-315=±1
 5-30=±0.4 315-1000=±1.6
 30-120±0.6 1000-2000=±2.4
SCALE 4:1 **SIZE** A

REVISION
DESCRIPTION **ENGINEER**