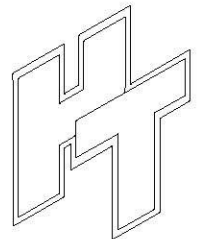
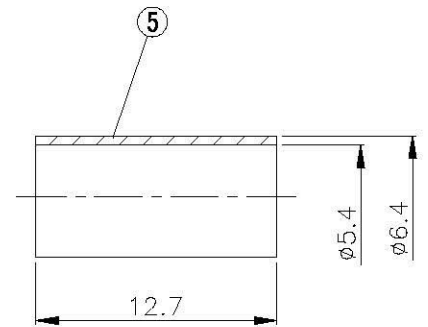
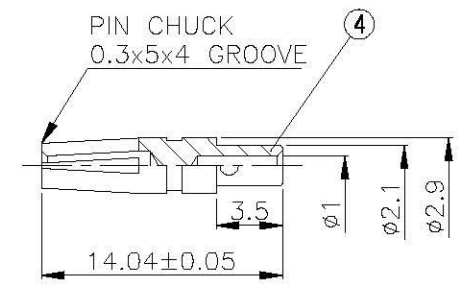
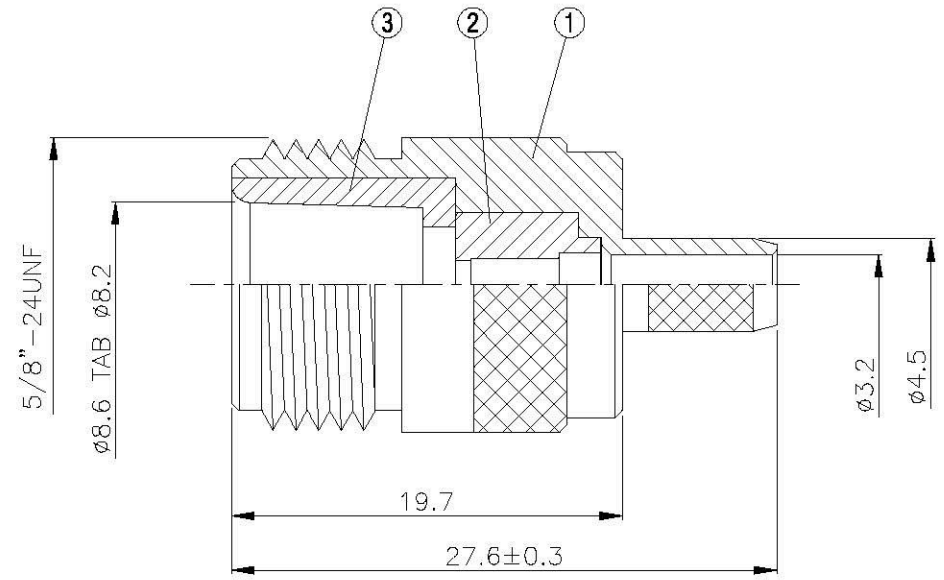
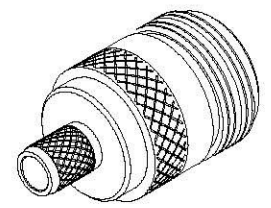
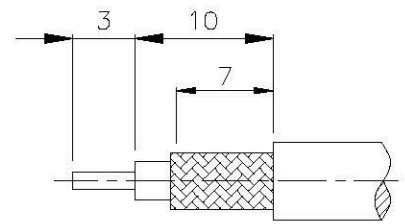


NO	DESCRIPTION	MATERIAL	Q'TY	FINISH	REMARK
1	BODY 1	BRASS	1	NICKEL	B-N0017-N
2	INSULATION	TEFLON	1	TEFLON	I-0096T
3	BODY 2	BRASS	1	NICKEL	B-N0320-N
4	PIN	BRASS	1	GOLD	P-N0013-N
5	RING	BRASS	1	NICKEL	R-0007-N



All Connectors
 www.allconnectors.de
 TEL: 0049 211 3005583
 39/98 Kilonstadt, Germany

info@allconnectors.de
 Fax: 0049 211 3005904
 Kollmannstr. 25

TITLE N FEMALE CRIMP FOR RG58U,141A/U
PART NO. N-04F-TGN
DRAWING NO. N 04F TGN

DRAWN MARY
CHECKED 蘇志欣
Q.A. 蘇姿潔
APPROVAL 徐燦霖
REVISION

DATE 96.06.04
DATE 96.06.04
DATE
DATE

DIMENSIONS ARE IN MILLIMETERS

UNLESS OTHERWISE SPECIFIED TOLERANCE

0.5-5=±0.2 120-315=±1
 5-30= ±0.4 315-1000=±1.6
 30-120=±0.6 1000-2000=±2.4

SCALE 4:1 **SIZE** A

REVISION	
DESCRIPTION	ENGINEER