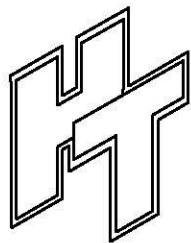
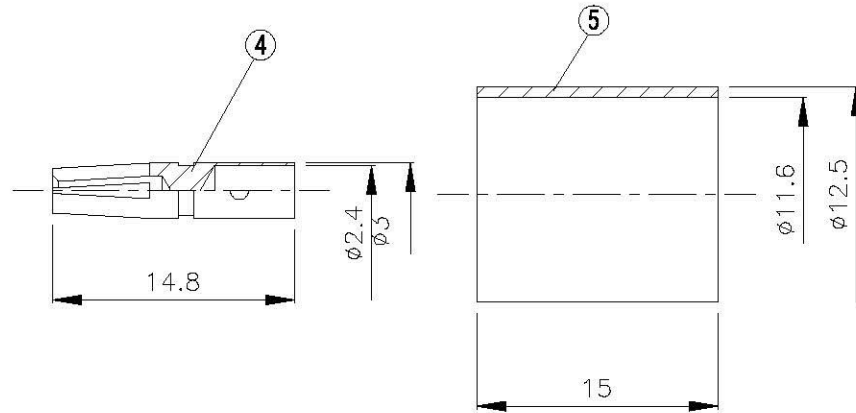
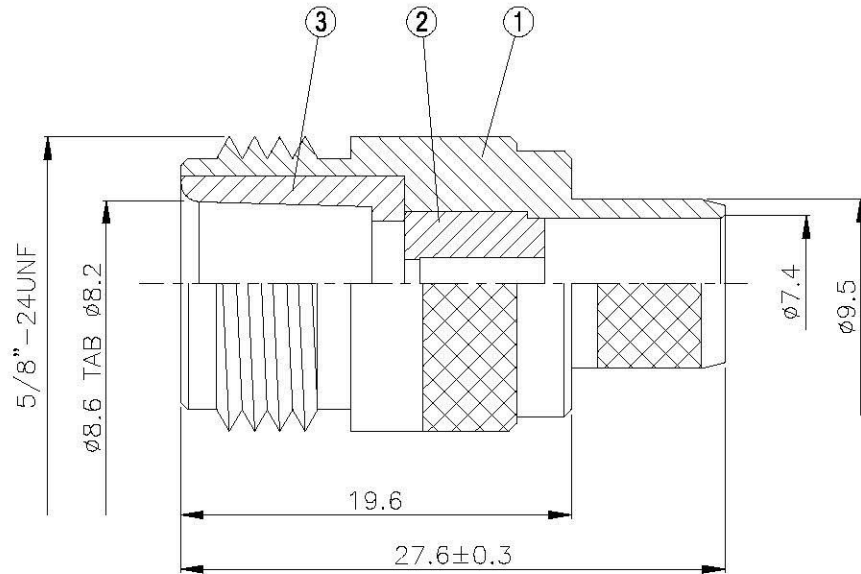
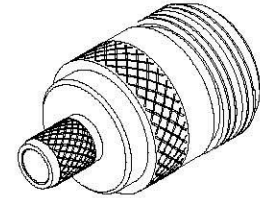
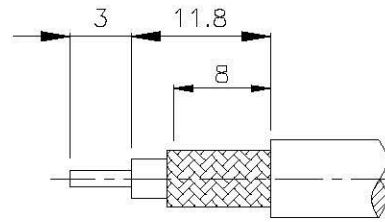


NO	DESCRIPTION	MATERIAL	Q'TY	FINISH	REMARK
1	BODY 1	BRASS	1	NICKEL	B-N0020-N
2	INSULATION	TEFLON	1	TEFLON	I-0125T
3	BODY 2	BRASS	1	NICKEL	B-N0320-N
4	PIN	BRASS	1	GOLD	P-N0055-G
5	RING	BRASS	1	NICKEL	R-0010-N



**All Connectors**

www.allconnectors.de  
Tel.: 0049 711 7009593  
70794 Filderstadt - Germany

info@allconnectors.de  
Fax: 0049 711 7009594  
Kettamerstr. 25

DRAWN MARY

DATE 91.09.25

CHECKED 黄巧君

DATE 96.01.26

Q.A. 蘇姿潔

DATE

APPROVAL 徐燦霖

DATE

REVISION

DATE

DIMENSIONS ARE IN MILLIMETERS

REVISION

UNLESS OTHERWISE SPECIFIED  
TOLERANCE

DESCRIPTION

ENGINEER

0.5-5=±0.2 120-315=±1

5-30= ±0.4 315-1000=±1.6

30-120±0.6 1000-2000=±2.4

SCALE 4:1 SIZE A

TITLE N FEMALE CRIMP  
FOR RG214

PART NO. N-04C-TGN

DRAWING NO. N 04C TGN