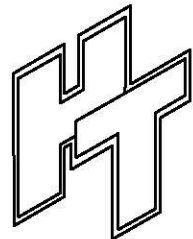
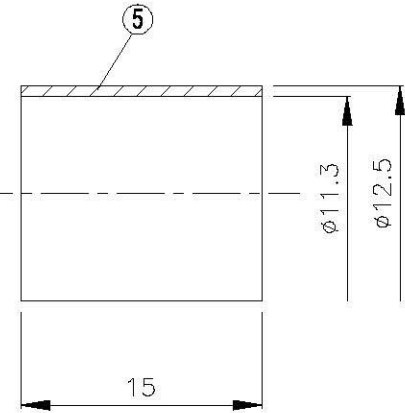
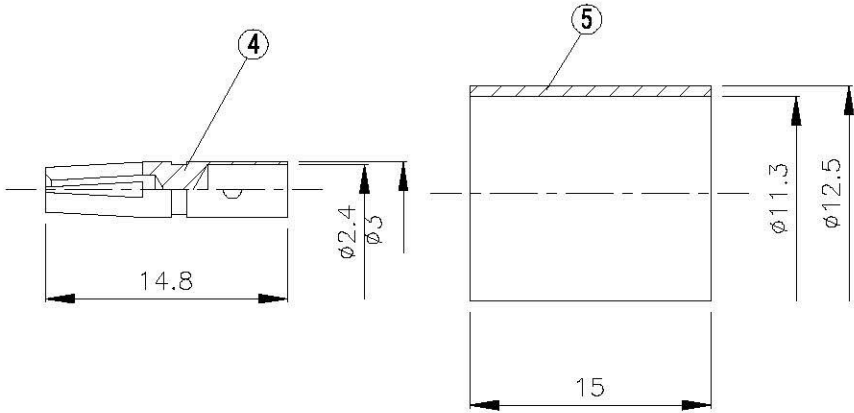
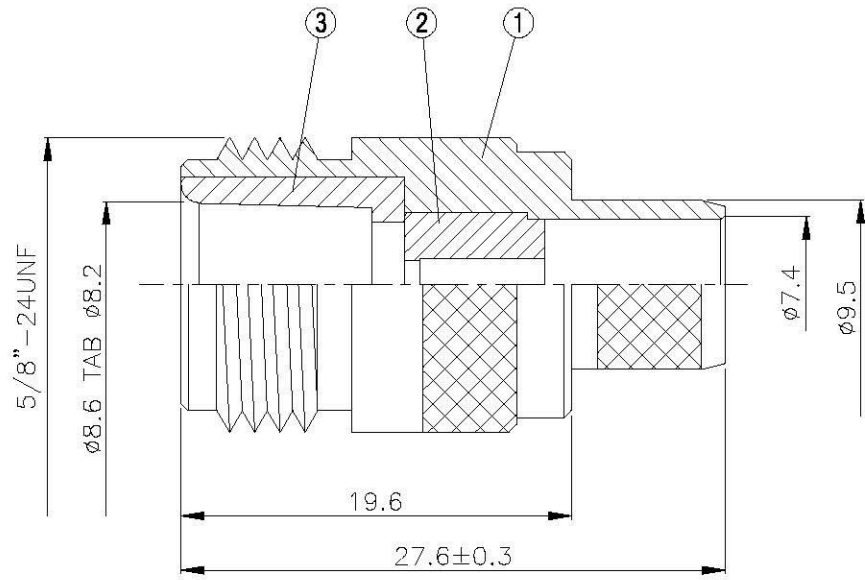
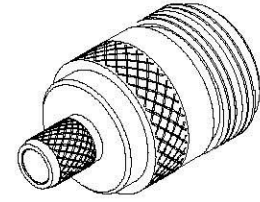
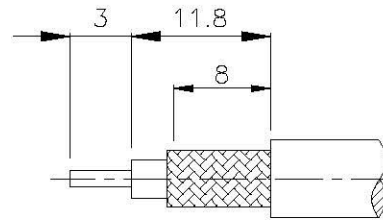


NO	DESCRIPTION	MATERIAL	Q'TY	FINISH	REMARK
1	BODY 1	BRASS	1	NICKEL	B-N0020-N
2	INSULATION	TEFLON	1	TEFLON	I-0125T
3	BODY 2	BRASS	1	NICKEL	B-N0320-N
4	PIN	BRASS	1	GOLD	P-N0055-G
5	RING	BRASS	1	NICKEL	R-0010-N



**All Connectors**  
 www.allconnectors.de  
 Tel: 0345 211 2005/011  
 30294 Filterstadt - Germany  
 info@allconnectors.de  
 Fax: 0345 211 2005/04  
 karten@ac.de

**TITLE** N FEMALE CRIMP FOR RG213U  
**PART NO.** N-04B-TGN  
**DRAWING NO.** N 04B TGN

**DRAWN** MARY  
**CHECKED** 黄巧君  
**Q.A.** 蘇姿潔  
**APPROVAL** 徐燥霖  
**REVISION**

**DATE** 91.09.25  
**DATE** 96.01.26  
**DATE**  
**DATE**

**DIMENSIONS ARE IN MILLIMETERS**  
**UNLESS OTHERWISE SPECIFIED TOLERANCE**  
 0.5-5=±0.2    120-315=±1  
 5-30= ±0.4    315-1000=±1.6  
 30-120±0.6    1000-2000=±2.4  
**SCALE** 4:1    **SIZE** A

REVISION	
DESCRIPTION	ENGINEER