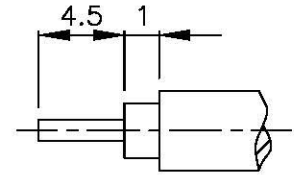
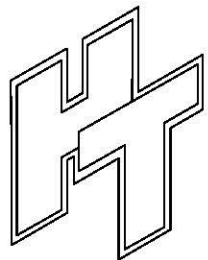
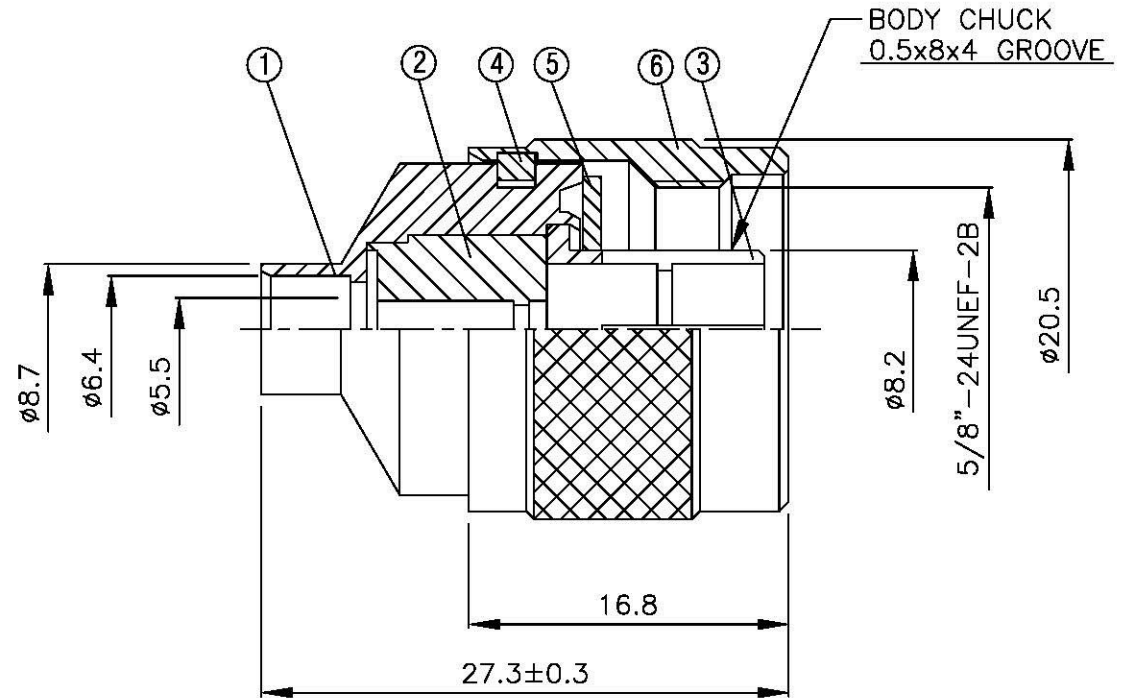
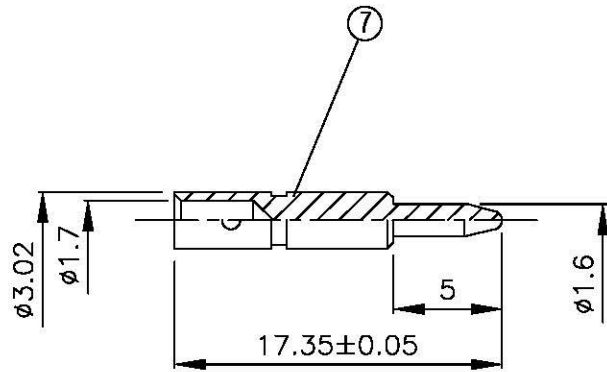
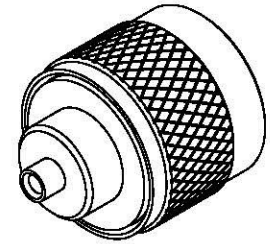


NO	DESCRIPTION	MATERIAL	Q'TY	FINISH	REMARK
1	BODY 1	BRASS	1	NICKEL	B-N0204-N
2	INSULATION	TEFLON	1	TEFLON	I-0117T
3	BODY 2	BRASS	1	NICKEL	B-N0033-N
4	WASHER	PH.BRONZE	1	NICKEL	W-0014
5	GASKET	SI RUBBER	1	RUBBER	RU-0007
6	BODY 2	BRASS	1	NICKEL	B-N0032-N
7	PIN	BRASS	1	GOLD	P-N0131-G



(Recommended Stripping Dimension)



All Connectors

www.allconnectors.de
Tel: 0049 211 2009501
20091 Cleebrunn - Germany

info@allconnectors.de
Fax: 0049 211 2009504
Kettelerstr. 25

TITLE N MALE SOLDER FOR .250

PART NO. N-03V4-TGN

DRAWING NO. N 03V4 TGN

DRAWN MARY DATE 96.06.18

CHECKED 蘇志欣

Q.A. 蘇姿潔

APPROVAL 徐燦霖

REVISION

DATE

DATE

DATE

DATE

DIMENSIONS ARE IN MILLIMETERS

UNLESS OTHERWISE SPECIFIED TOLERANCE

0.5-5 = ±0.2 120-315 = ±1

5-30 = ±0.4 315-1000 = ±1.6

30-120 ±0.6 1000-2000 = ±2.4

SCALE 4:1 SIZE A

REVISION

DESCRIPTION ENGINEER