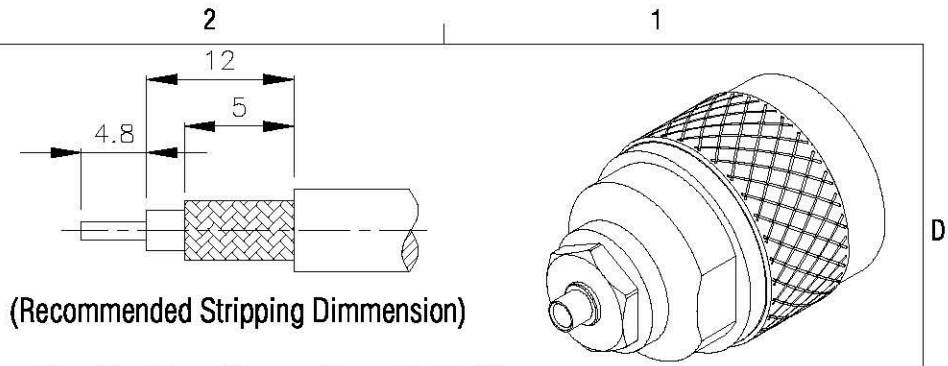


| NO | DESCRIPTION | MATERIAL | Q'TY | FINISH | REMARK |
|----|--------------|-----------|------|--------|-------------|
| 1 | BODY 1 | BRASS | 1 | NICKEL | B-BNC0561-N |
| 2 | NUT | BRASS | 1 | NICKEL | N-0004-N |
| 3 | BODY 2 | BRASS | 1 | NICKEL | B-N0287-N |
| 4 | INSULATION 1 | TEFLON | 1 | TEFLON | I-0448T |
| 5 | INSULATION 2 | TEFLON | 1 | TEFLON | I-0063T |
| 6 | WASHER | PH.BRONZE | 1 | NICKEL | W-0014-N |
| 7 | GASKET | SI RUBBER | 1 | NICKEL | RU-0007 |
| 8 | BODY 3 | BRASS | 1 | NICKEL | B-N0033-N |
| 9 | BODY 4 | BRASS | 1 | NICKEL | B-N0032-N |
| 10 | PIN | BRASS | 1 | GOLD | P-N0170-G |



D

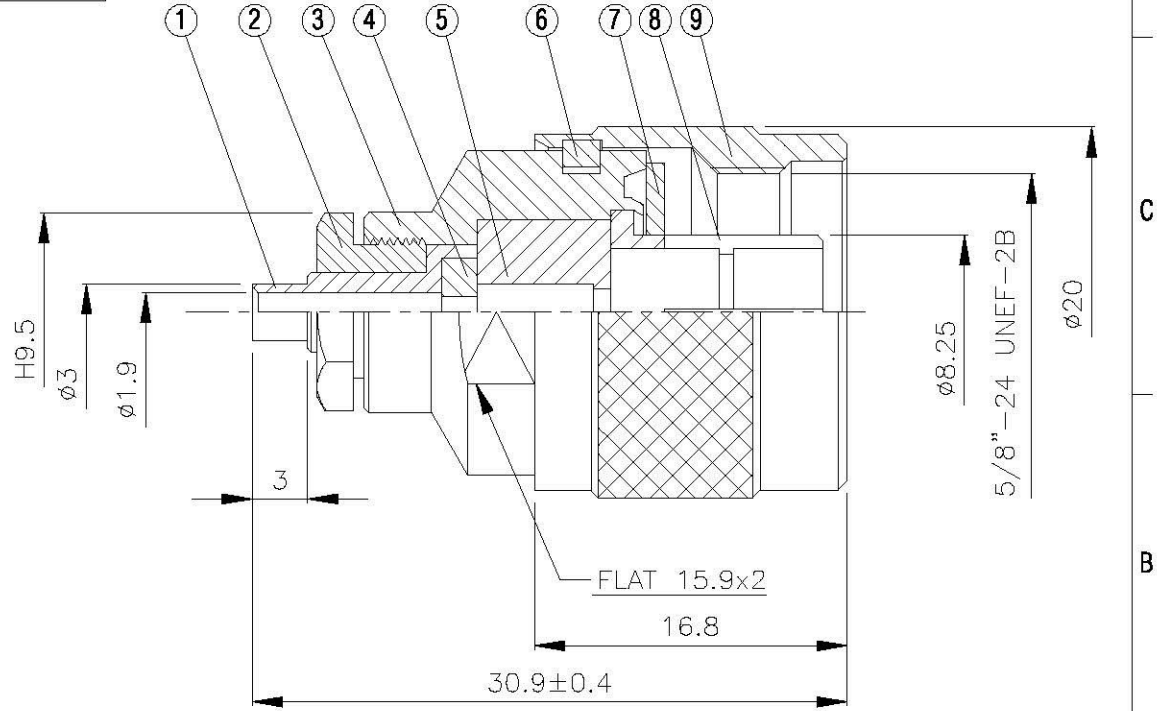
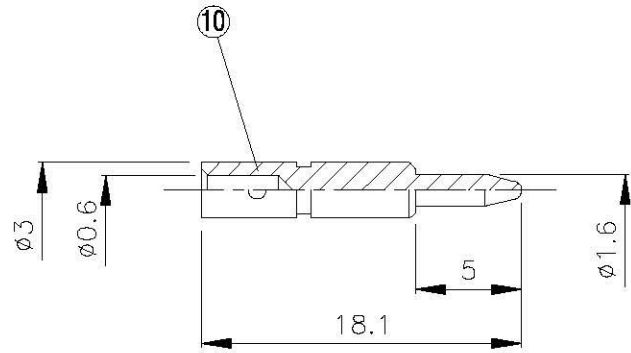
D

C

C

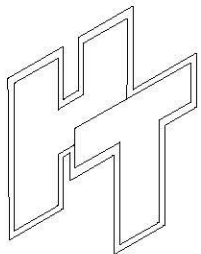
B

B



A

A



All Connectors

www.allconnectors.de
Tel.: 0049 711 7000800
RUS/SA Hilsbergstr. 16 Germany

TITLE N MALE SOLDER FOR RG-405(.085")

PART NO. N-03V1-TGN

DRAWING NO. N 03V1 TGN

DRAWN MARY DATE 96.06.18

CHECKED 蘇志欣 DATE 97.04.29

Q.A. 蘇姿潔 DATE

APPROVAL 徐燦霖 DATE

REVISION DATE

DIMENSIONS ARE IN MILLIMETERS

UNLESS OTHERWISE SPECIFIED TOLERANCE

0.5-5=±0.2 120-315=±1
5-30=±0.4 315-1000=±1.6
30-120=±0.6 1000-2000=±2.4

SCALE 4:1 SIZE A

REVISION

DESCRIPTION ENGINEER

4

3

2

1