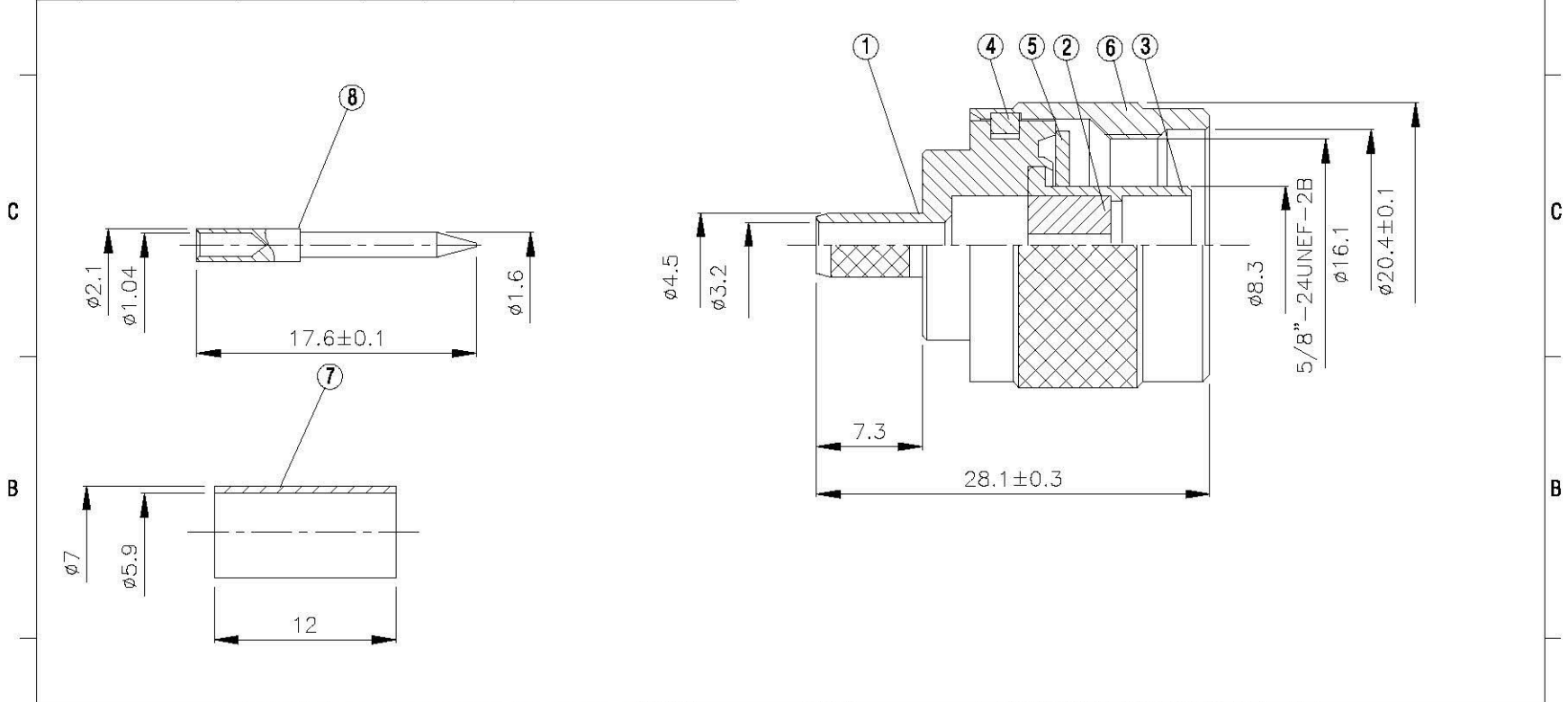
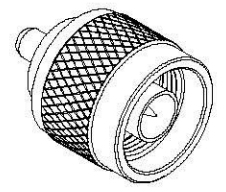


NO	DESCRIPTION	MATERIAL	Q'TY	FINISH	REMARK
1	BODY 1	BRASS	1	NICKEL	B-N1252-N
2	INSULATION	TEFLON	1	TEFLON	I-0601T
3	BODY 2	BRASS	1	NICKEL	B-N1360-N
4	WASHER	BRASS	1	NICKEL	W-0014
5	GASKET	RUBBER	1	RUBBER	RU-0007
6	BODY 2	BRASS	1	NICKEL	B-N0032-N
7	RING	BRASS	1	NICKEL	R-0008-N
8	PIN	BRASS	1	GOLD	P-N0425-G



	Allconnectors <small>www.allconnectors.de Tel: 0049 211 7099800 15164 Hildersloh, Germany</small>	DRAWN MARY DATE 97.02.14	DIMENSIONS ARE IN MILLIMETERS		REVISION	
	TITLE N MALE CRIMP FOR RG-223/U	CHECKED 蘇志欣 DATE	UNLESS OTHERWISE SPECIFIED TOLERANCE		DESCRIPTION	ENGINEER
	PART NO. N-03P-TGN-1	Q.A. 蘇姿潔 DATE	0.5-5=±0.2 120-315=±1 5-30=±0.4 315-1000=±1.6 30-120±0.6 1000-2000=±2.4			
	DRAWING NO. N 03P TGN-1	APPROVAL 徐燦霖 DATE	SCALE 4:1 SIZE A			
		REVISION DATE				