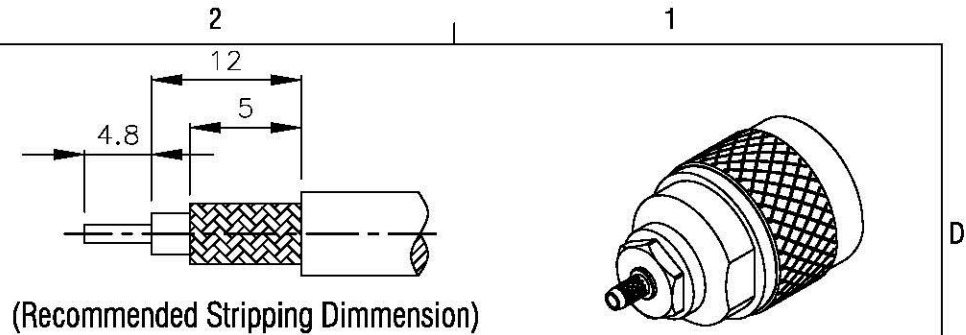


NO	DESCRIPTION	MATERIAL	Q'TY	FINISH	REMARK
1	BODY 1	BRASS	1	NICKEL	B-TNC0919-N
2	NUT	BRASS	1	NICKEL	N-0004-N
3	BODY 2	BRASS	1	NICKEL	B-N0287-N
4	INSULATION 1	TEFLON	1	TEFLON	I-0448T
5	INSULATION 2	TEFLON	1	TEFLON	I-0063T
6	WASHER	PH.BRONZE	1	NICKEL	W-0014-N
7	GASKET	SI RUBBER	1	NICKEL	RU-0007
8	BODY 3	BRASS	1	NICKEL	B-N0033-N
9	BODY 4	BRASS	1	NICKEL	B-N0032-N
10	PIN	BRASS	1	GOLD	P-N0170-G
11	RING	BRASS	1	NICKEL	R-0001-N



D

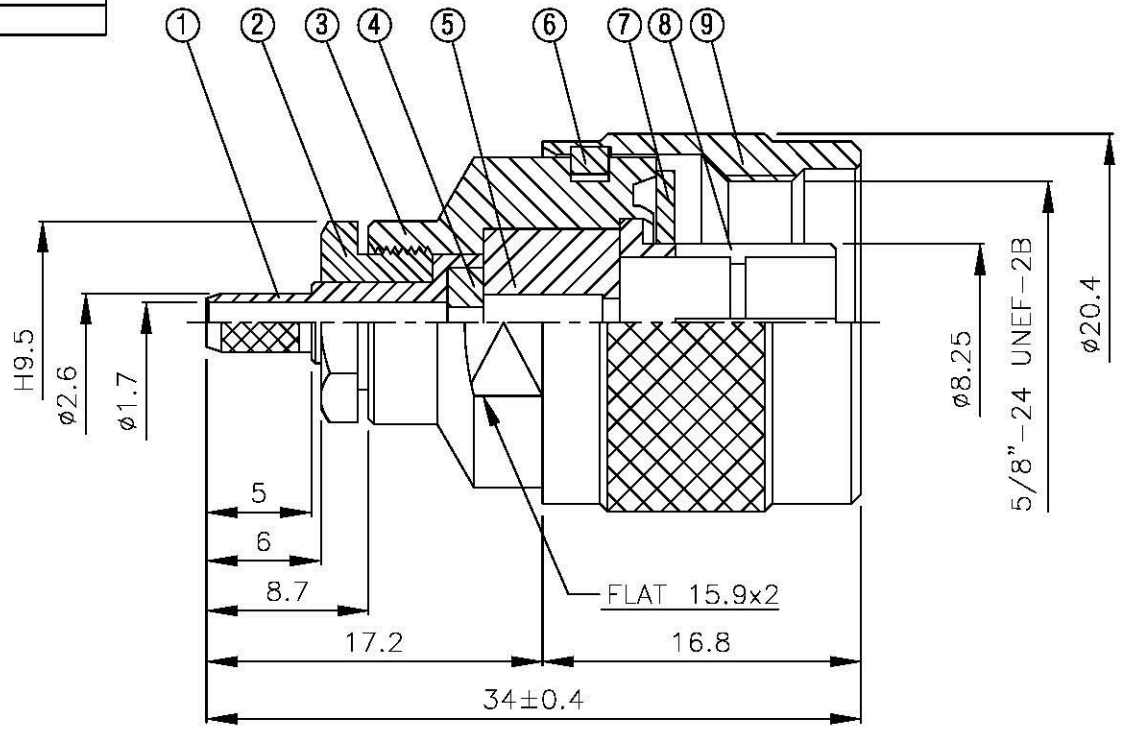
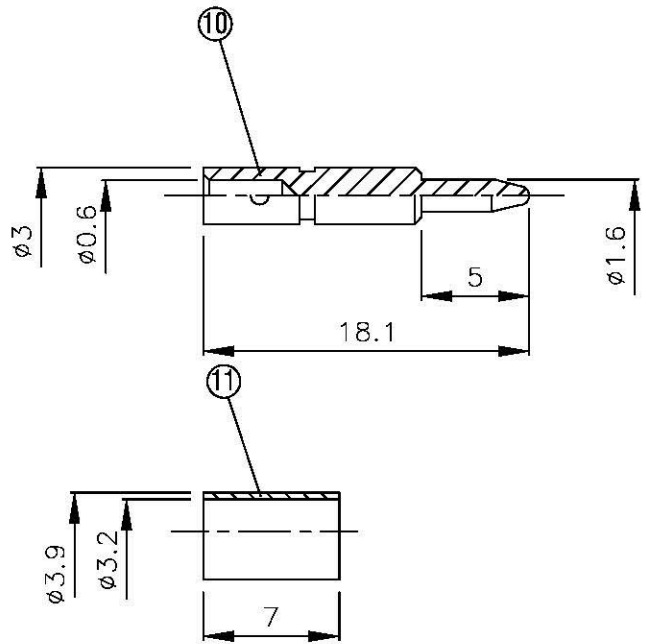
D

C

C

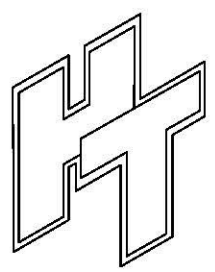
B

B



A

A



**All Connectors**  
 www.allconnectors.de info@allconnectors.de  
 Tel: 0049 711 700503 Fax: 0049 711 700504  
 30794 Niederst. Germany Kettelerstr. 25

TITLE **N MALE CRIMP FOR RG-316/U**

PART NO. **N-03LV1-TGN**

DRAWING NO. **N 03LV1 TGN**

DRAWN **MARY** DATE **96.06.18**

CHECKED **蘇志欣** DATE

Q.A. **蘇姿潔** DATE

APPROVAL **徐燦霖** DATE

REVISION DATE

**DIMENSIONS ARE IN MILLIMETERS**

**UNLESS OTHERWISE SPECIFIED TOLERANCE**

0.5-5=±0.2 120-315=±1

5-30=±0.4 315-1000=±1.6

30-120=±0.6 1000-2000=±2.4

SCALE **4:1** SIZE **A**

REVISION	
DESCRIPTION	ENGINEER

4

3

2

1