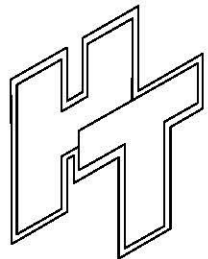
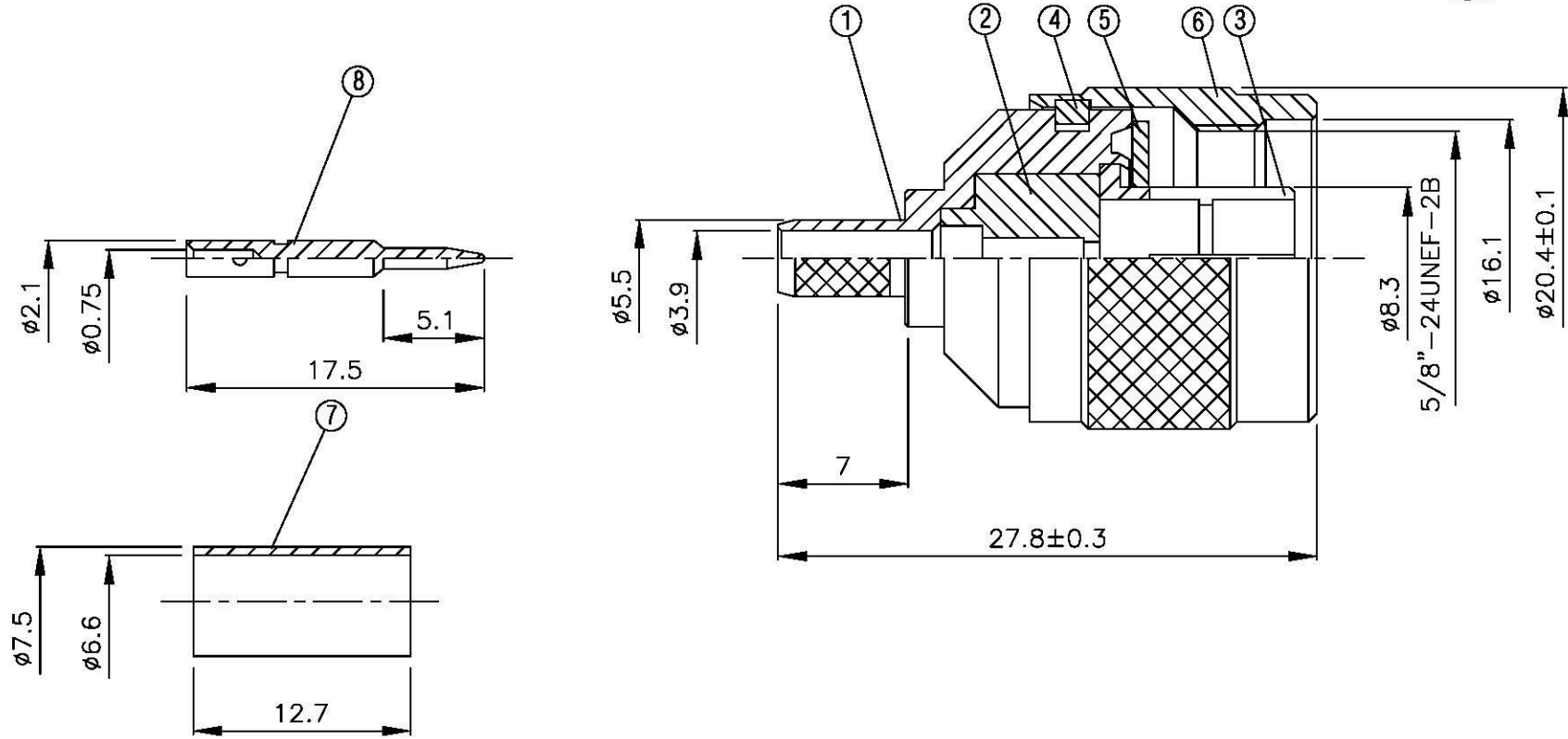
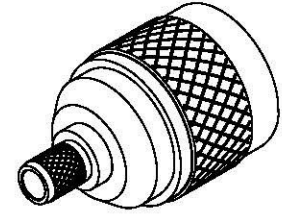


NO	DESCRIPTION	MATERIAL	Q'TY	FINISH	REMARK
1	BODY 1	BRASS	1	NICKEL	B-N0570-N
2	INSULATION	TEFLON	1	TEFLON	I-0158T
3	BODY 2	BRASS	1	NICKEL	B-N0033-N
4	WASHER	BRASS	1	NICKEL	W-0014
5	GASKET	RUBBER	1	RUBBER	RU-0007
6	BODY 2	BRASS	1	NICKEL	B-N0032-N
7	RING	BRASS	1	NICKEL	R-0018-N
8	PIN	BRASS	1	GOLD	P-N0370-G



All Connectors

www.allconnectors.de
Tel.: 0049 711 7009503
info@allconnectors.de
Fax: 0049 711 7009504
Kellernstr. 2B

TITLE N MALE CRIMP FOR
RG-59/U

PART NO. N-03G-TGN

DRAWING NO. N 03G TGN

DRAWN MARY DATE 96.06.18

CHECKED 蘇志欣

Q.A. 蘇姿潔

APPROVAL 徐燦霖

REVISION

DATE

DATE

DATE

DATE

DIMENSIONS ARE IN MILLIMETERS

UNLESS OTHERWISE SPECIFIED
TOLERANCE

0.5-5=±0.2 120-315=±1

5-30=±0.4 315-1000=±1.6

30-120±0.6 1000-2000=±2.4

REVISION

DESCRIPTION ENGINEER

SCALE 4:1 SIZE A