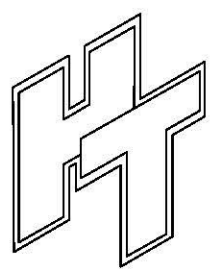
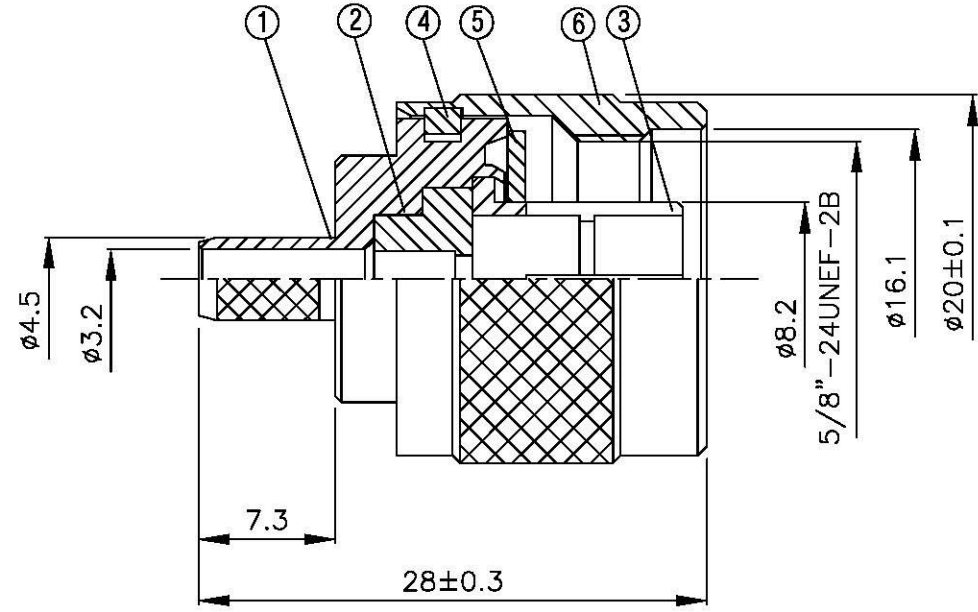
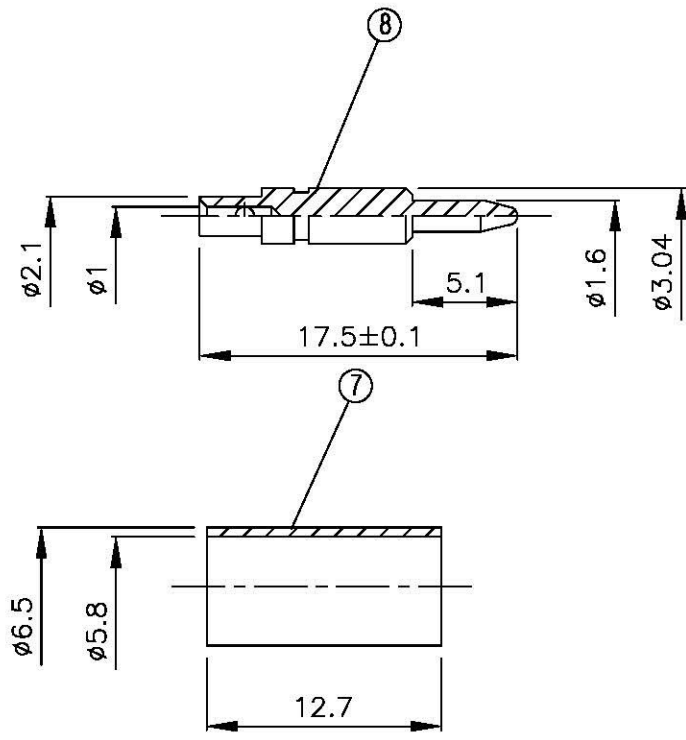
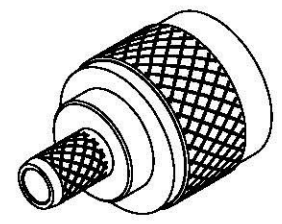
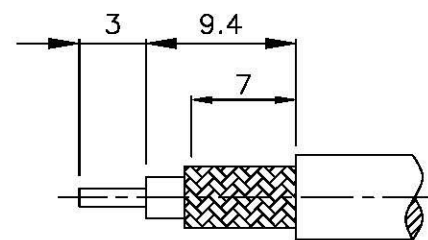


NO	DESCRIPTION	MATERIAL	Q'TY	FINISH	REMARK
1	BODY 1	BRASS	1	NICKEL	B-N0629-N
2	INSULATION	TEFLON	1	TEFLON	I-0296T
3	BODY 2	BRASS	1	NICKEL	B-N0033-N
4	WARSHER	BRASS	1	NICKEL	W-0014
5	GASKET	RUBBER	1	RUBBER	RU-0007
6	BODY 2	BRASS	1	NICKEL	B-N0032-N
7	RING	BRASS	1	NICKEL	R-0007-N
8	PIN	BRASS	1	GOLD	P-N0157-G



Allconnectors
 www.allconnectors.de
 Tel.: 0049 711 7009503
 info@allconnectors.de
 Fax: 0049 711 7009504
 Kellenersstr. 4b

TITLE **N MALE CRIMP FOR RG-58/U**

PART NO. **N-03F-TGN**

DRAWING NO. **N 03F TGN**

DRAWN **MARY** DATE **92.11.06**

CHECKED **蘇志欣** DATE **97.05.13**

Q.A. **蘇姿潔** DATE

APPROVAL **徐燦霖** DATE

REVISION DATE

DIMENSIONS ARE IN MILLIMETERS

UNLESS OTHERWISE SPECIFIED TOLERANCE

0.5-5=±0.2 120-315=±1

5-30= ±0.4 315-1000=±1.6

30-120±0.6 1000-2000=±2.4

SCALE **4:1** SIZE **A**

REVISION	
DESCRIPTION	ENGINEER