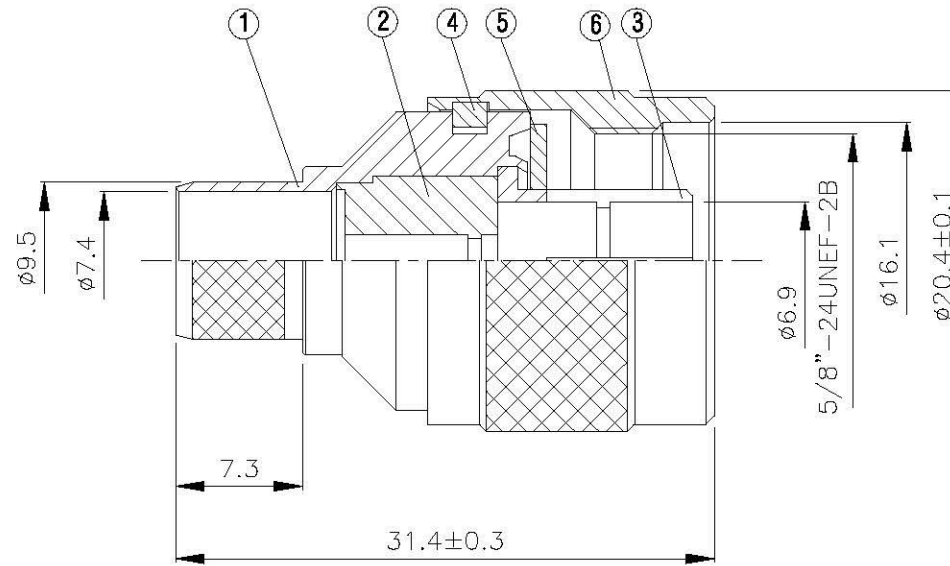
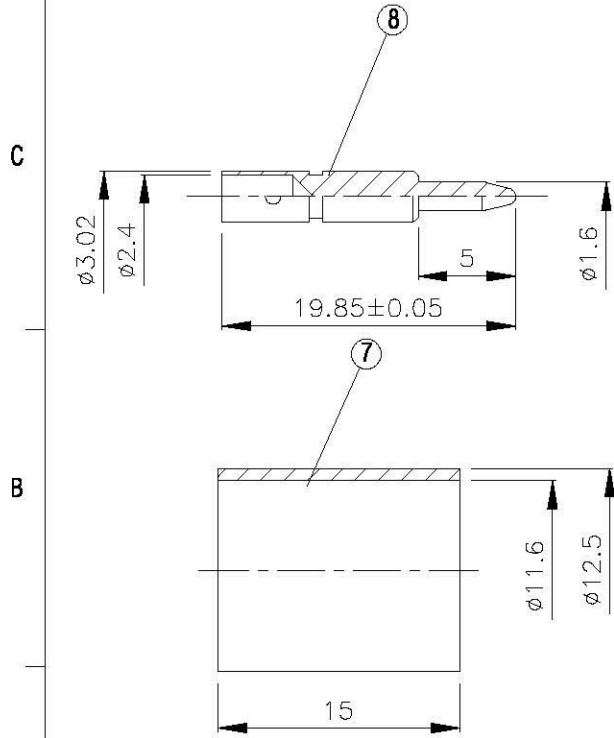
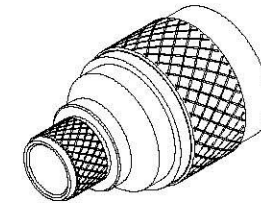
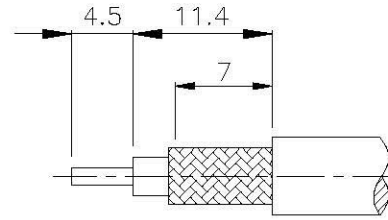


NO	DESCRIPTION	MATERIAL	Q'TY	FINISH	REMARK
1	BODY 1	BRASS	1	NICKEL	B-N0047-N
2	INSULATION	TEFLON	1	TEFLON	I-0117T
3	BODY 2	BRASS	1	NICKEL	B-N0033-N
4	WASHER	PH.BRONZE	1	NICKEL	W-0014
5	GASKET	SI RUBBER	1	RUBBER	RU-0007
6	BODY 2	BRASS	1	NICKEL	B-N0032-N
7	RING	BRASS	1	NICKEL	R-0010-N
8	PIN	BRASS	1	GOLD	P-N0039-G



All Connectors

Technical Business, ISO 9001
Tel: 410494311, 20065938
www.allconnectors.com

11 Suppl. Learn. and/or Guide
Fax: 2095 711 709504
Kulim, Malaysia

TITLE N MALE CRIMP FOR RG 214/U

PART NO. N-03C-TGN

DRAWING NO. N 03C TGN

DRAWN	MARY	DATE	97.01.08
CHECKED	蘇志欣	DATE	
Q.A.	蘇姿潔	DATE	
APPROVAL	徐燦霖	DATE	
REVISION		DATE	

DIMENSIONS ARE IN MILLIMETERS			
UNLESS OTHERWISE SPECIFIED TOLERANCE			
0.5-5=	± 0.2	120-315=	± 1
5-30=	± 0.4	315-1000=	± 1.6
30-120=	± 0.6	1000-2000=	± 2.4
SCALE	4:1	SIZE	A

REVISION	
DESCRIPTION	ENGINEER