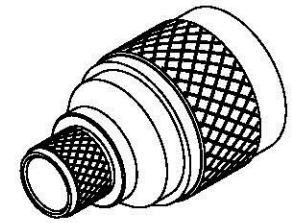
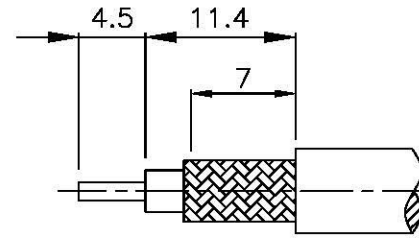


NO	DESCRIPTION	MATERIAL	Q'TY	FINISH	REMARK
1	BODY 1	BRASS	1	NICKEL	B-N0047-N
2	INSULATION	TEFLON	1	TEFLON	I-0117T
3	BODY 2	BRASS	1	NICKEL	B-N0033-N
4	WARSHER	PH.BRONZE	1	NICKEL	W-0014
5	GASKET	SI RUBBER	1	RUBBER	RU-0007
6	BODY 2	BRASS	1	NICKEL	B-N0032-N
7	RING	BRASS	1	NICKEL	R-0010-N
8	PIN	BRASS	1	GOLD	P-N0039-G



D

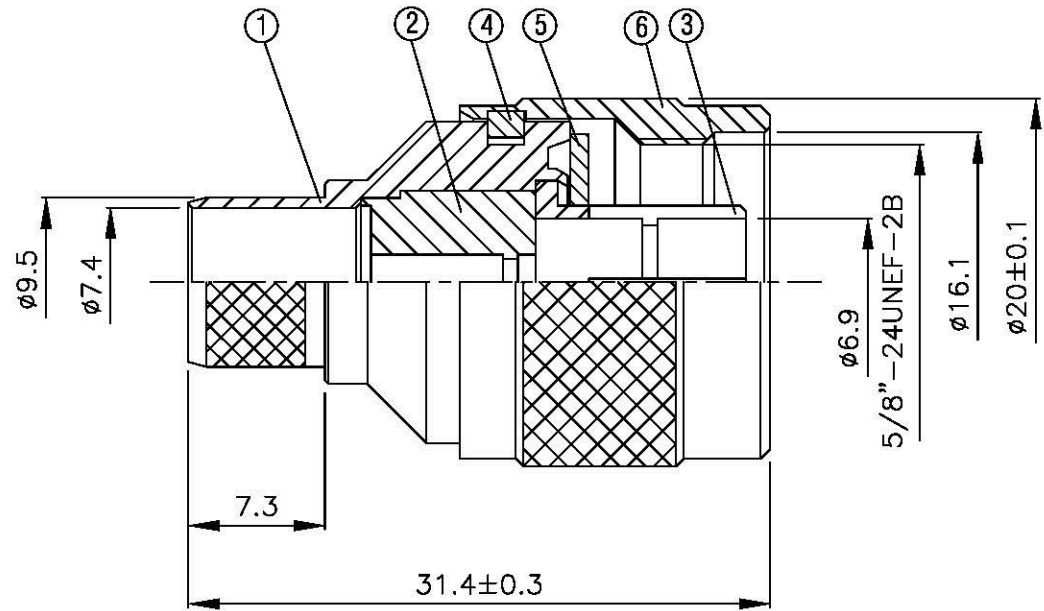
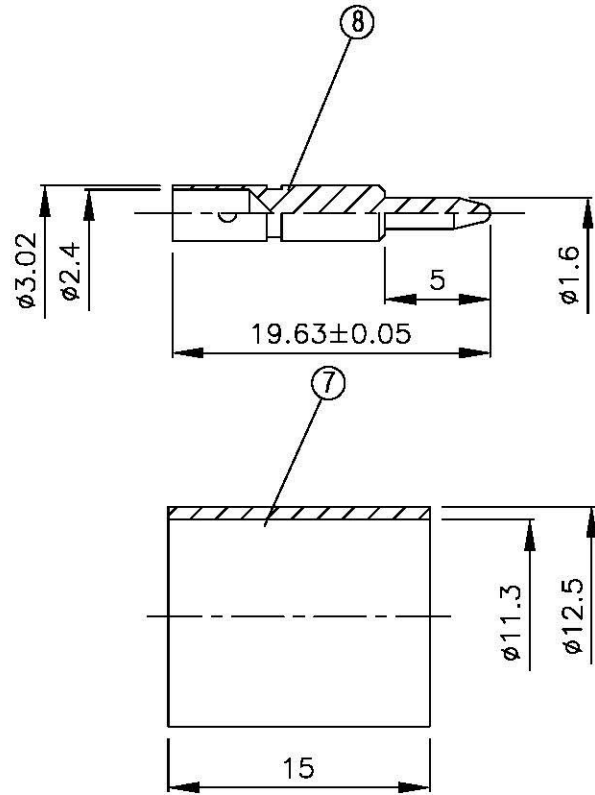
D

C

C

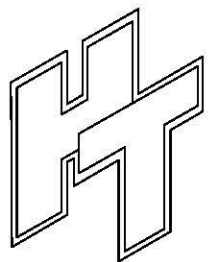
B

B



A

A



**All Connectors**  
 www.allconnectors.de  
 Tel: 0049 211 700500  
 00799 Gildesbach - Germany

Info@allconnectors.de  
 Fax: 0049 211 7005001  
 Kettentierstr. 25

TITLE **N MALE CRIMP FOR RG 213/U**

PART NO. **N-03B-TGN**

DRAWING NO. **N 03B TGN**

DRAWN	MARY	DATE	96.06.18
CHECKED	蘇志欣	DATE	97.05.02
Q.A.	蘇姿潔	DATE	
APPROVAL	徐燦霖	DATE	
REVISION		DATE	

DIMENSIONS ARE IN MILLIMETERS			
UNLESS OTHERWISE SPECIFIED TOLERANCE			
0.5-5=±0.2	120-315=±1		
5-30=±0.4	315-1000=±1.6		
30-120±0.6	1000-2000=±2.4		
SCALE	4:1	SIZE	A

REVISION	
DESCRIPTION	ENGINEER

4

3

2

1