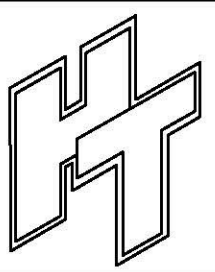
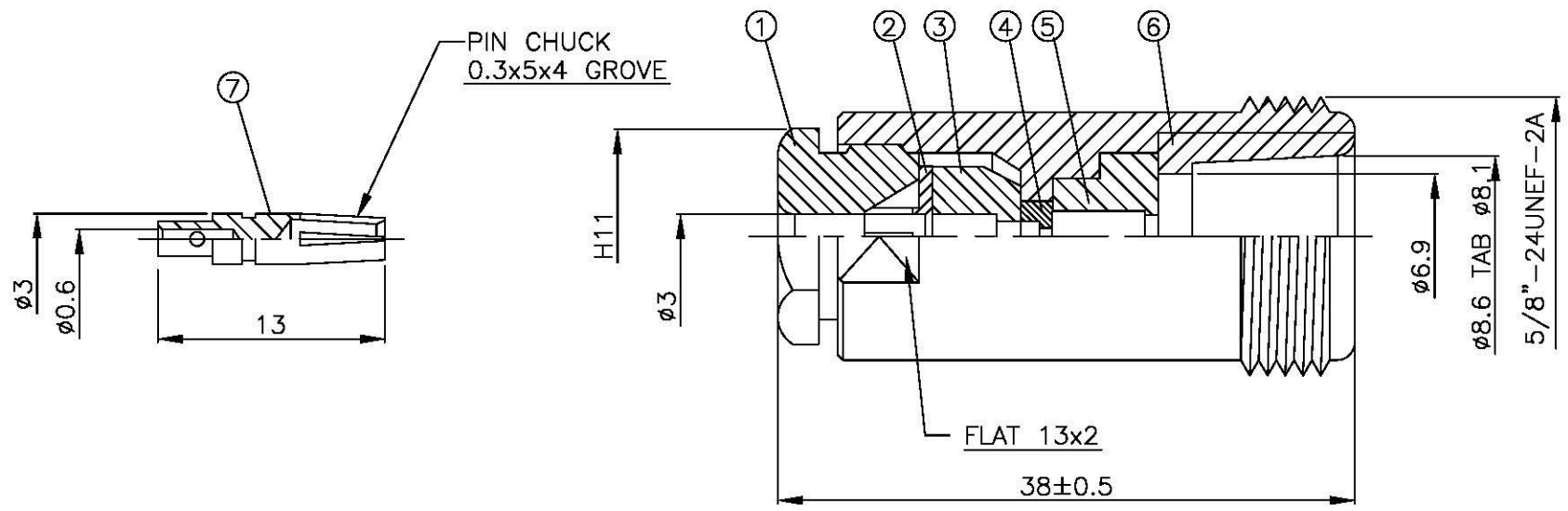
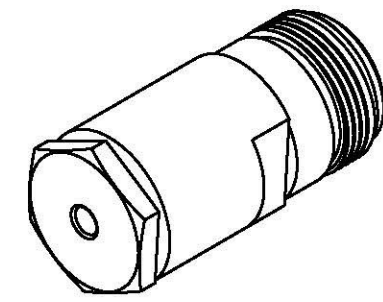


NO	DESCRIPTION	MATERIAL	Q'TY	FINISH	REMARK
1	NUT	BRASS	1	NICKEL	N-00 -N
2	BRASS 1	BRASS	1	NICKEL	B-N00 -N
3	BRASS 2	SI RUBBER	1	RUBBER	RU-00
4	INSULATION 1	BRASS	1	NICKEL	B-N0 -N
5	INSULATION 2	TEFLON	1	NICKEL	I-0296T
6	BODY 3	TEFLON	1	NICKEL	B-N0320-N
7	PIN	BRASS	1	GOLD	P-N0424-N



All Connectors
 www.allconnectors.de
 info@allconnectors.de
 20294-Flischdorf Germany
 Kottenhorstr. 25

TITLE
N FEMALE CLAMP FOR RG-174/U,316/U

PART NO. N-02LV1-TGN

DRAWING NO. N 02LV1 TGN

DRAWN MARY DATE 96.07.12

CHECKED 蘇志欣 DATE

Q.A. 蘇姿潔 DATE

APPROVAL 徐燦霖 DATE

REVISION DATE

DIMENSIONS ARE IN MILLIMETERS

UNLESS OTHERWISE SPECIFIED TOLERANCES

0.5-5=±0.2 120-315=±1
 5-30=±0.4 315-1000=±1.6
 30-120=±0.6 1000-2000=±2.4

SCALE 5:1 SIZE A

REVISION	
DESCRIPTION	ENGINEER