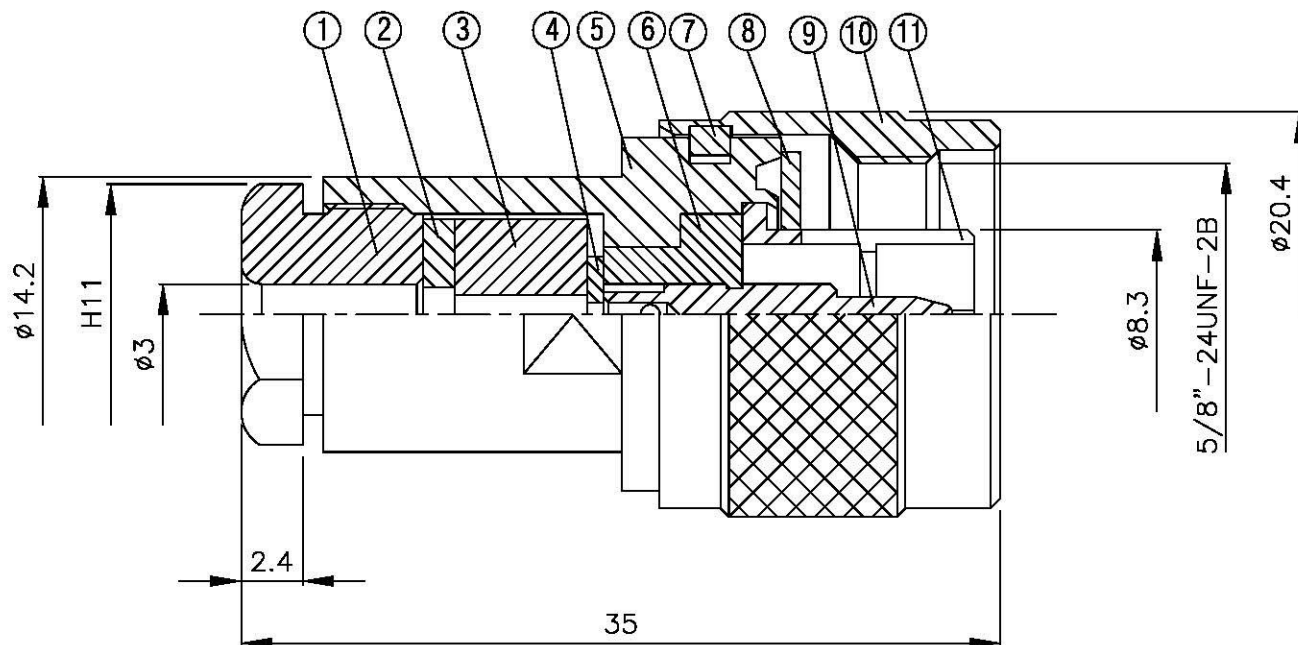
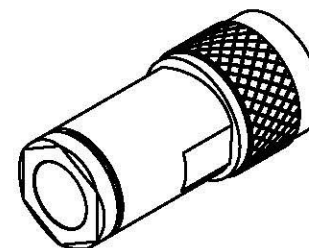


NO	DESCRIPTION	MATERIAL	Q'TY	FINISH	REMARK
1	NUT	BRASS	1	NICKEL	N-0013-N
2	INSULATION	TEFLON	1	TEFLON	I-0148T
3	RUBBER	SI RUBBER	1	RUBBER	RU-0015
4	INSULATION	TEFLON	1	TEFLON	I-0029T
5	BODY 2	BRASS	1	RUBBER	B-N0640-N
6	INSULATION	TEFLON	1	TEFLON	I-0296T
7	WASHER	BRASS	1	NICKEL	W-0014-N
8	RUBBER	SI RUBBER	1	RUBBER	RU-0007
9	PIN	BRASS	1	GOLD	P-N0157-G
10	BODY 3	BRASS	1	NICKEL	B-N0032-N
11	BODY 4	BRASS	1	NICKEL	B-N0033-N



	<b>All Connectors</b> <small>www.allconnectors.de  Tel.: 0049 711 704500  70791 Filderstadt - Germany</small>	<b>DRAWN</b> MARY <b>DATE</b> 96.06.13	<b>DIMENSIONS ARE IN MILLIMETERS</b>		<b>REVISION</b>	
		<b>CHECKED</b> 黄巧君 <b>DATE</b>	<b>UNLESS OTHERWISE SPECIFIED TOLERANCE</b>		<b>DESCRIPTION</b>	<b>ENGINEER</b>
		<b>Q.A.</b> 蘇姿潔 <b>DATE</b>	0.5-5=±0.2    120-315=±1 5-30=±0.4    315-1000=±1.6 30-120±0.6    1000-2000=±2.4			
		<b>APPROVAL</b> 徐燦霖 <b>DATE</b>	<b>SCALE</b> 4:1 <b>SIZE</b> A			
		<b>TITLE</b> N MALE CLAMP FOR RG-174/U <b>PART NO.</b> N-01LV1-TGN <b>DRAWING NO.</b> N 01LV1 TGN	<b>REVISION</b> <b>DATE</b>			