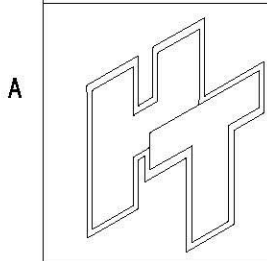
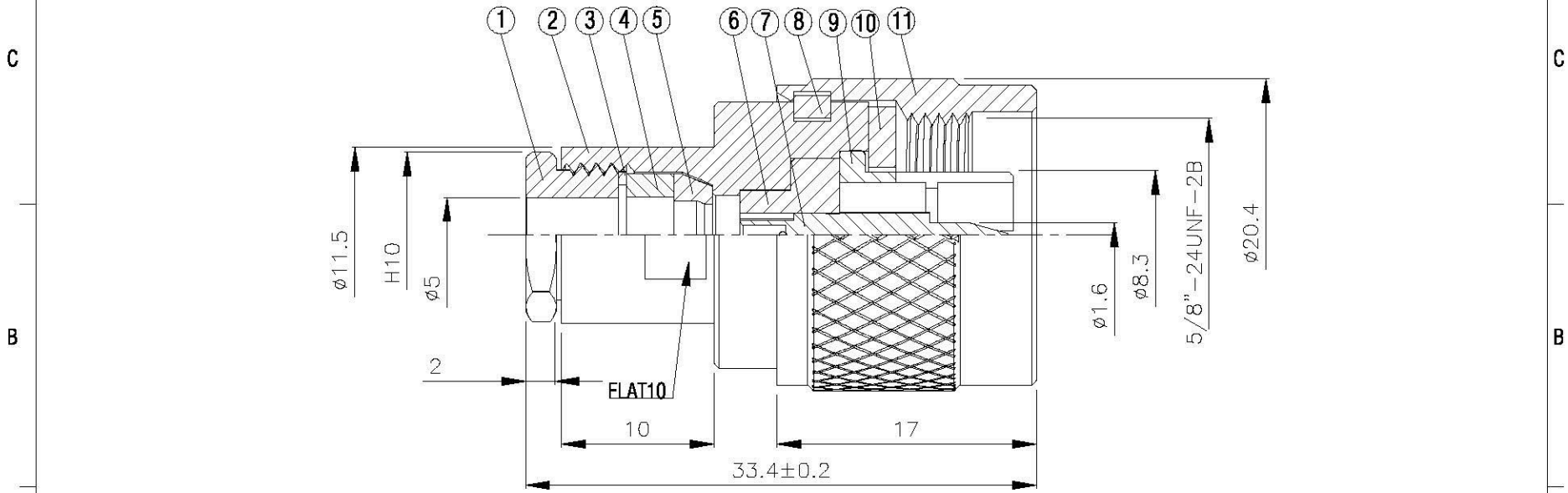
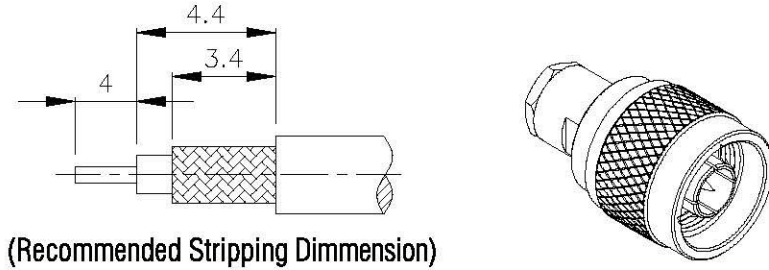


NO	DESCRIPTION	MATERIAL	Q'TY	FINISH	REMARK
1	NUT	BRASS	1	NICKEL	N-0068-N
2	BODY 1	BRASS	1	NICKEL	B-N1293-N
3	WASHER 1	BRASS	1	NICKEL	W-0064-N
4	RUBBER	SI RUBBER	1	RUBBER	RU-0053
5	WASHER 2	BRASS	1	NICKEL	W-0086-N
6	INSULATION	TEFLON	1	TEFLON	I-0296T
7	PIN	BRASS	1	GOLD	P-N0157-G
8	WASHER 3	BRASS	1	NICKEL	W-0014-N
9	BODY 2	BRASS	1	RUBBER	B-N0033-N
10	RUBBER	SI RUBBER	1	RUBBER	RU-0007
11	BODY 3	BRASS	1	NICKEL	B-N0032-N



**All Connectors**

www.allconnectors.de  
Tel: +0049 711 700590  
20794 Filderstadt - Germany

info@allconnectors.de  
Fax: +0049 711 7005904  
kottenerstr. 28

DRAWN MARY DATE 97.05.07

CHECKED 蘇志欣 DATE

Q.A. 蘇姿潔 DATE

APPROVAL 徐燦霖 DATE

REVISION DATE

TITLE N MALE CLAMP FOR RG-58/U

PART NO. N-01F-TGN-1

DRAWING NO. N 01F TGN-1

DIMENSIONS ARE IN MILLIMETERS

UNLESS OTHERWISE SPECIFIED TOLERANCE

0.5-5=±0.2 120-315=±1

5-30= ±0.4 315-1000=±1.6

30-120=±0.6 1000-2000=±2.4

SCALE 4:1 SIZE A

REVISION

DESCRIPTION	ENGINEER

4

3

2

1