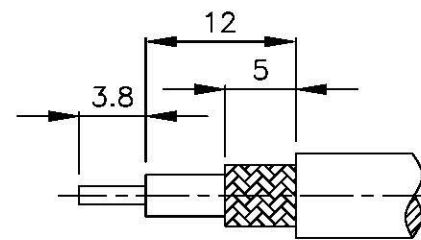
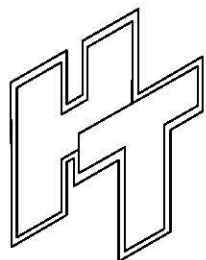
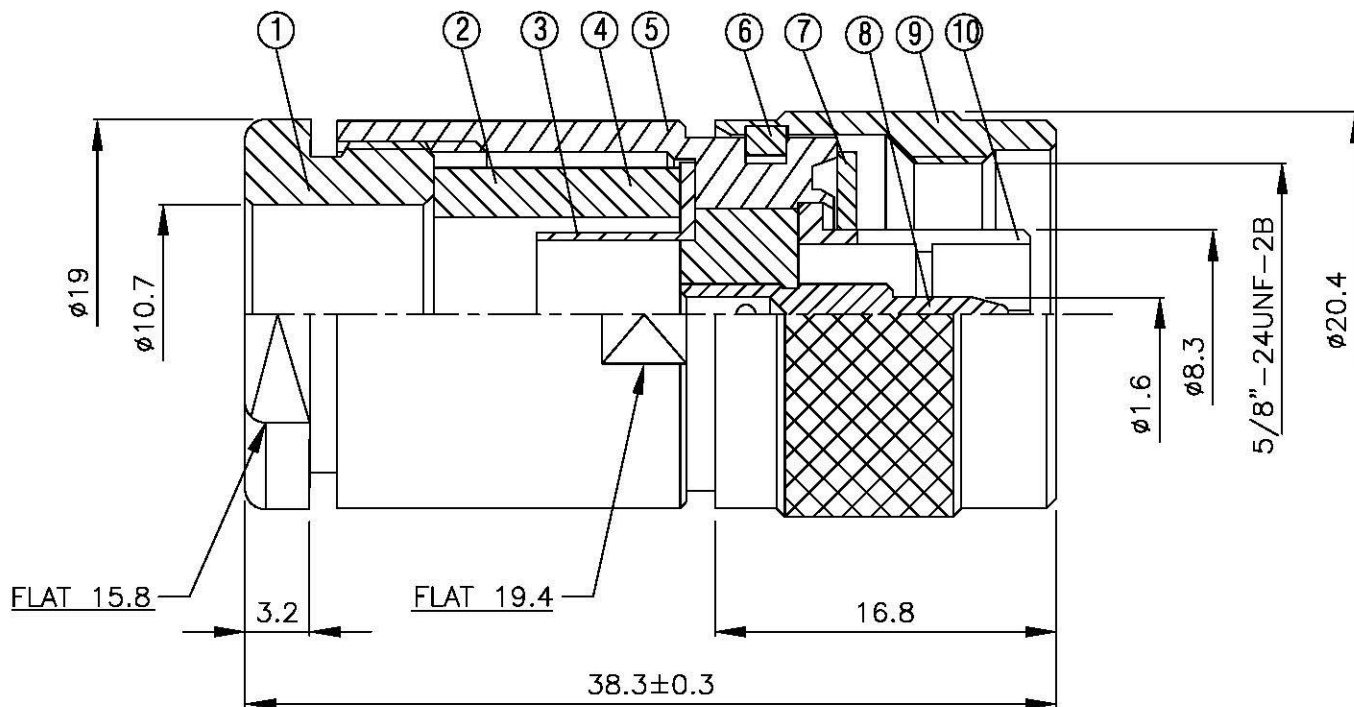
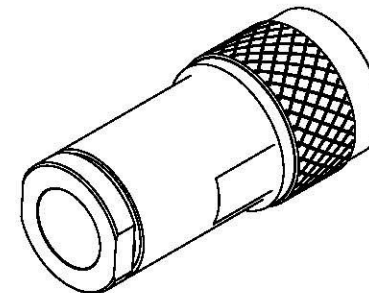


NO	DESCRIPTION	MATERIAL	Q'TY	FINISH	REMARK
1	NUT	BRASS	1	NICKEL	N-0019-N
2	RUBBER	SI RUBBER	1	RUBBER	RU-0018
3	BODY 1	BRASS	1	NICKEL	B-N0228-N
4	INSULATION	TEFLON	1	TEFLON	I-0043T
5	BODY 2	BRASS	1	NICKEL	B-N0227-N
6	WASHER	PH.BRONZE	1	NICKEL	W-0014-N
7	RUBBER	SI RUBBER	1	RUBBER	RU-0007
8	PIN	BRASS	1	GOLD	P-N0142-G
9	BODY 3	BRASS	1	NICKEL	B-N0032-N
10	BODY 4	BRASS	1	NICKEL	B-N0033-N



(Recommended Stripping Dimension)



All Connectors

www.allconnectors.com
Tel.: 0049 211 7009508
20294 Filderstadt - Germany

info@allconnectors.com
Fax: 0049 211 7009504
Kettnerstr. 25

TITLE N MALE CLAMP FOR
RG 213/U

PART NO. N-01B-TGN

DRAWING NO. N 01B TGN

DRAWN MARY DATE 96.02.15

CHECKED 黃巧君 DATE

Q.A. 蘇姿潔 DATE

APPROVAL 徐燦霖 DATE

REVISION DATE

DIMENSIONS ARE IN MILLIMETERS

UNLESS OTHERWISE SPECIFIED
TOLERANCE

0.5-5 = ± 0.2 120-315 = ± 1

5-30 = ± 0.4 315-1000 = ± 1.6

30-120 ± 0.6 1000-2000 = ± 2.4

SCALE 4:1 SIZE A

REVISION

DESCRIPTION ENGINEER