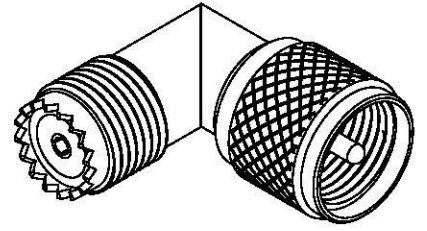
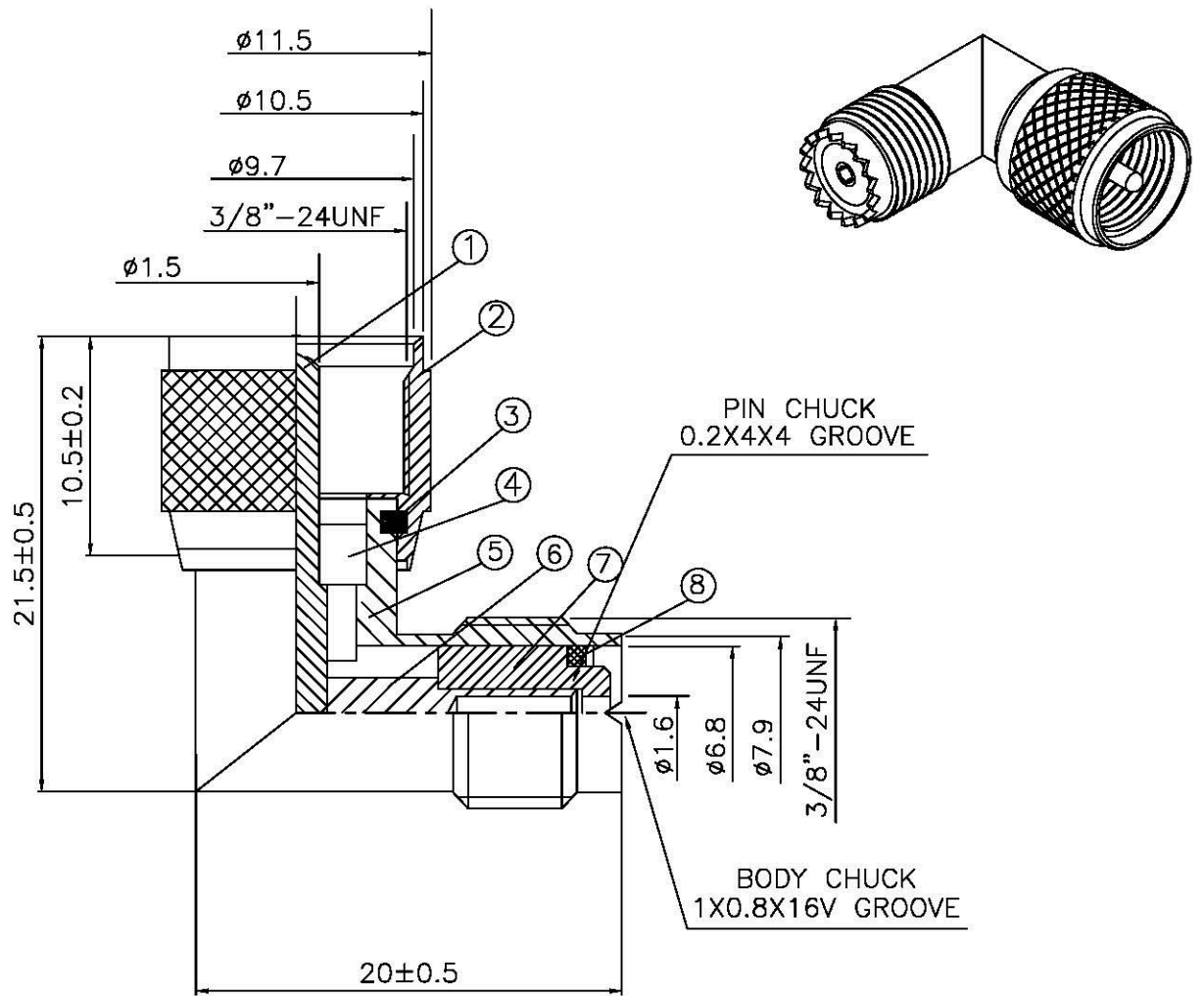
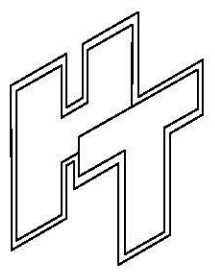


NO	DESCRIPTION	MATERIAL	Q'TY	FINISH
1	PIN	BRASS	1	GOLD
2	SHELL	BRASS	1	NICKEL
3	WASHER	BRASS	1	NICKEL
4	INSULATION	DELRIN	1	DELRIN
5	BODY	BRASS	1	NICKEL
6	PIN	BRASS	1	GOLD
7	INSULATION	DELRIN	2	DELRIN
8	WASHER	BRASS	2	NICKEL



PIN CHUCK  
0.2X4X4 GROOVE

BODY CHUCK  
1X0.8X16V GROOVE



**All Connectors**  
 www.allconnectors.de info@allconnectors.de  
 Tel: 0049 219 2019004 Fax: 0049 219 2019003  
 70794 Filderstadt Germany Kettelerstr. 25

TITLE  
RIGHT ANGLE MALE - FEMALE

PART NO.  
**MU-21-DGN**

DRAWING NO. MU 21 DGN

DRAWN	MARY	DATE	81.06.27
CHECKED	蘇志欣	DATE	
Q.A.	蘇姿潔	DATE	
APPROVAL	徐燦霖	DATE	
REVISION		DATE	

DIMENSIONS ARE IN MILLIMETERS

UNLESS OTHERWISE SPECIFIED TOLERANCE

0.5-5 = ±0.2	120-315 = ±1
5-30 = ±0.4	315-1000 = ±1.6
30-120 = ±0.6	1000-2000 = ±2.4

SCALE 4:1 SIZE A

REVISION	
DESCRIPTION	ENGINEER