

NO	DESCRIPTION	MATERIAL	Q'TY	FINISH
1	PIN	BRASS	1	GOLD
2	SHELL	BRASS	1	NICKEL
3	WASHER	BRASS	1	NICKEL
4	INSULATION	DELTRIN	1	DELTRIN
5	BODY	BRASS	1	NICKEL
6	PIN	BRASS	1	GOLD
7	INSULATION	DELTRIN	2	DELTRIN
8	WASHER	BRASS	2	NICKEL

D

C

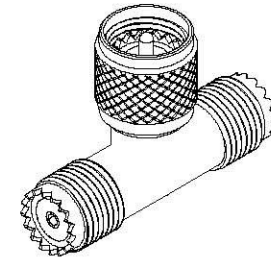
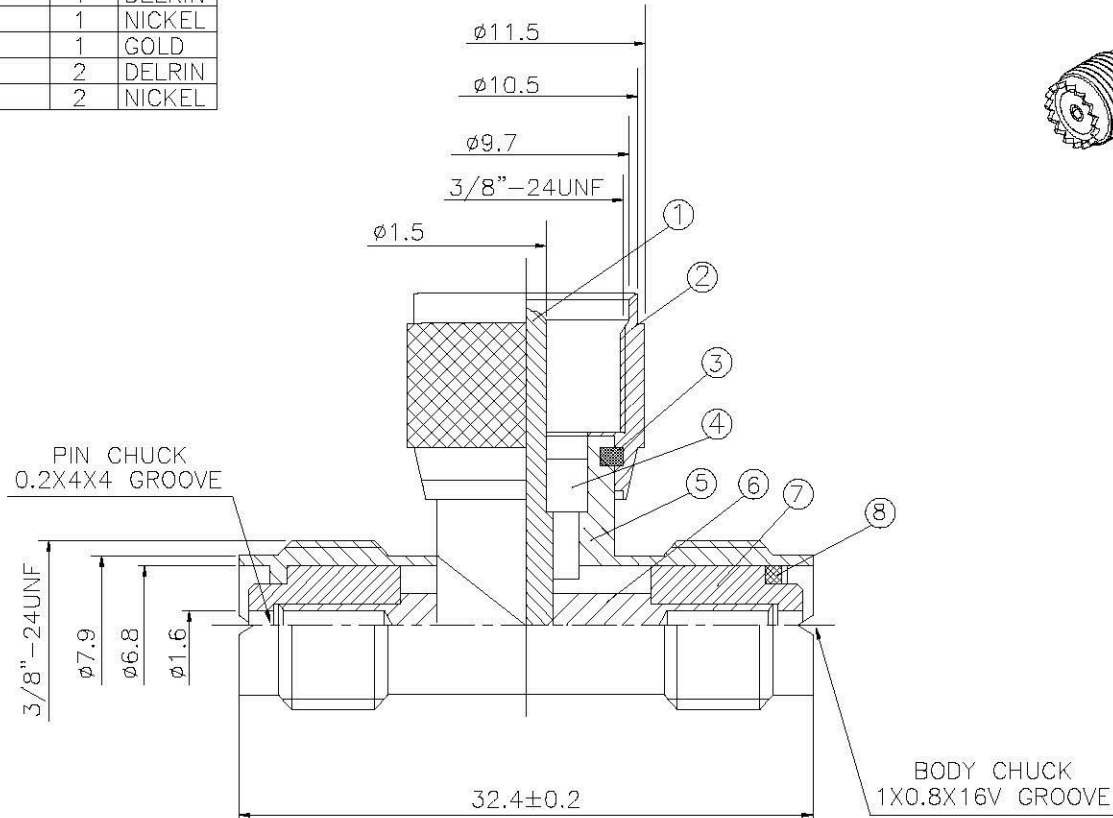
B

A

3

2

1

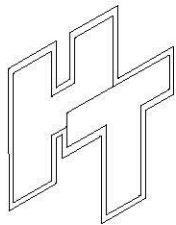


D

C

B

A



Allconnectors

www.allconnectors.de info@allconnectors.de
 Tel: 0049 711 7000503 Fax: 0049 711 7000504
 Allconnectors GmbH Kettelerstr. 21

TITLE **FEMALE-MALE-FEMALE
ADAPTOR**

PART NO. **MU-15-DGN**

DRAWING NO. **MU 15 DGN**

DRAWN **MARY** DATE **96.08.31**

CHECKED **蘇志欣** DATE

Q.A. **蘇姿潔** DATE

APPROVAL **徐慶霖** DATE

REVISION DATE

DIMENSIONS ARE IN MILLIMETERS

UNLESS OTHERWISE SPECIFIED
TOLERANCE

0.5-5=±0.2 120-315=±1

5-30=±0.4 315-1000=±1.6

30-120=±0.6 1000-2000=±2.4

SCALE **4:1** SIZE **A**

REVISION

DESCRIPTION ENGINEER

4

3

2

1