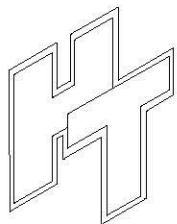
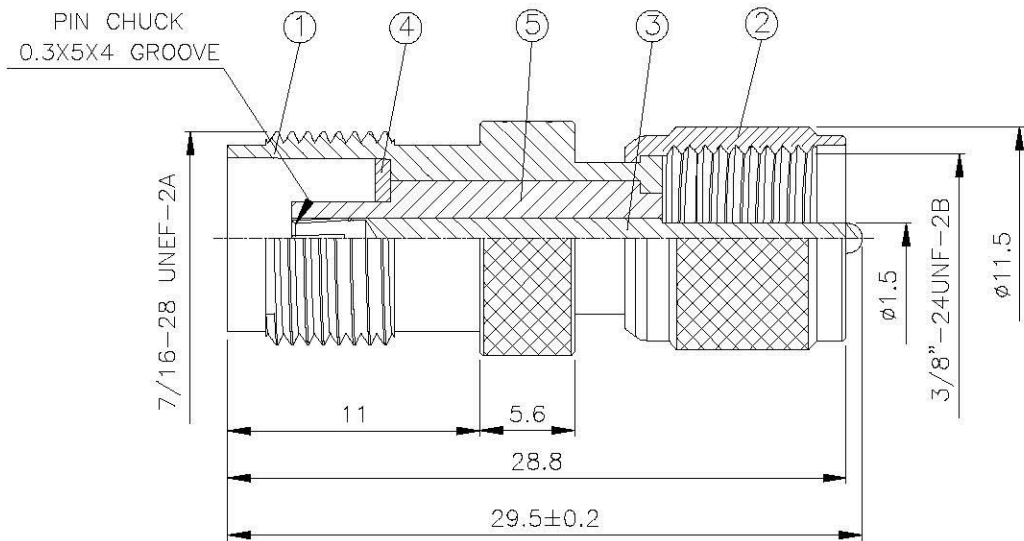
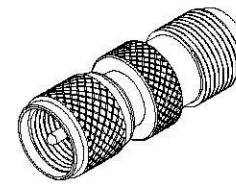


NO	DESCRIPTION	MATERIAL	Q'TY	FINISH
1	BODY	BRASS	1	NICKEL
2	SHELL	BRASS	1	NICKEL
3	PIN	BRASS	1	GOLD
4	WASHER	BRASS	1	NICKEL
5	INSULATION	DELRIN	1	DELRIN



**All Connectors**

www.allconnectors.de  
Tel: +49 30 91 34 99 0  
70794 Plochingen, Germany

info@allconnectors.de  
Fax: +49 30 91 34 99 1  
60306 Frankfurt, DE

TITLE  
**MINI UHF MALE-TNC FEMALE**

PART NO.  
**MU-13-DGN**

DRAWING NO. **MU 13 DGN**

DRAWN **MARY** DATE **95.12.21**

CHECKED **蘇志欣** DATE

Q.A. **蘇姿潔** DATE

APPROVAL **徐燦霖** DATE

REVISION DATE

DIMENSIONS ARE IN MILLIMETERS

UNLESS OTHERWISE SPECIFIED TOLERANCE

0.5-5=±0.2 120-315=±1

5-30=±0.4 315-1000=±1.6

30-120=±0.6 1000-2000=±2.4

SCALE **4:1** SIZE **A**

REVISION

DESCRIPTION ENGINEER

D

D

C

C

B

B

A

A

4

3

2

1