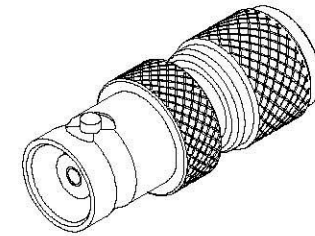


NO	DESCRIPTION	MATERIAL	Q'TY	FINISH
1	SHELL	BRASS	1	NICKEL
2	WASHER	BRASS	1	NICKEL
3	INSULATION	DELTRIN	1	DELTRIN
4	PIN	BRASS	1	GOLD
5	BODY	BRASS	1	NICKEL
6	INSULATION	DELTRIN	1	DELTRIN
7	WASHER	BRASS	1	NICKEL



D

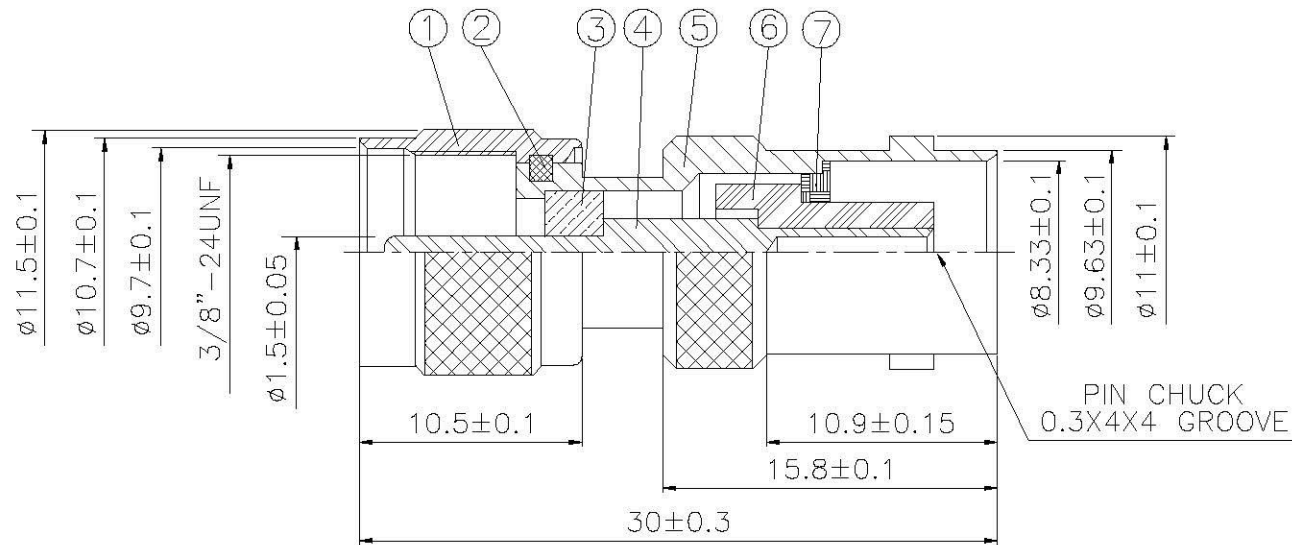
D

C

C

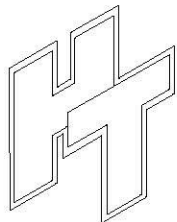
B

B



A

A



All Connectors

www.allconnectors.com
Tel: 0449 233 080/80
Fax: 0449 233 080/80

11th Floor, 11th Road,
Kuala Lumpur, Malaysia

DRAWN MARY DATE 96.08.31

CHECKED 蘇志欣 DATE

Q.A. 蘇姿潔 DATE

APPROVAL 徐燦霖 DATE

REVISION DATE

DIMENSIONS ARE IN MILLIMETERS

UNLESS OTHERWISE SPECIFIED TOLERANCE

0.5-5=±0.2 120-315=±1

5-30=±0.4 315-1000=±1.6

30-120=±0.6 1000-2000=±2.4

SCALE 4:1 SIZE A

REVISION

DESCRIPTION ENGINEER

TITLE
MINI UHF MALE-BNC FEMALE

PART NO.
MU-10-DGN

DRAWING NO. **MU 10 DGN**

4

3

2

1