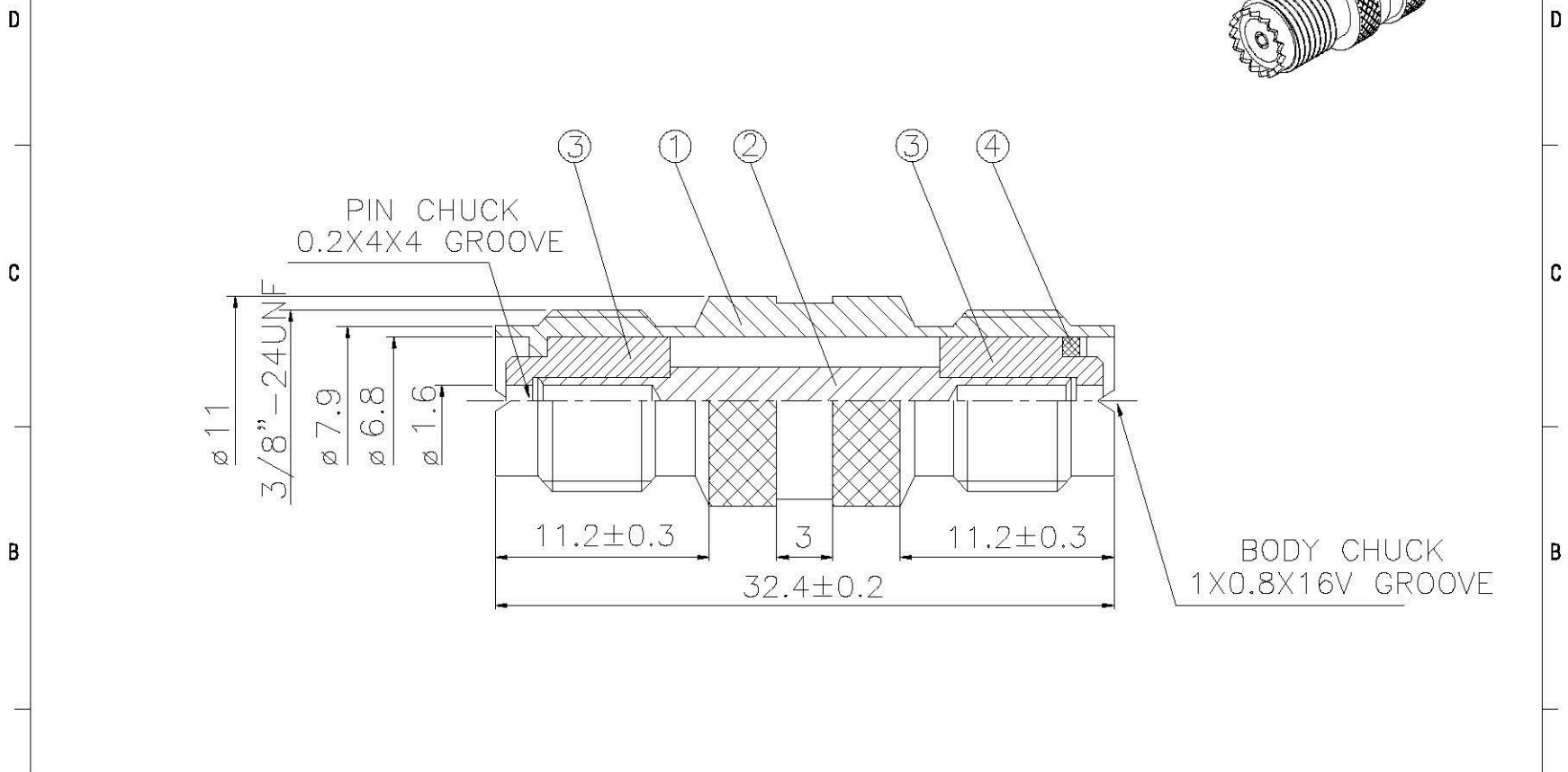
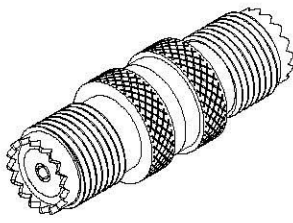


NO	DESCRIPTION	MATERIAL	Q'TY	FINISH
1	BODY	BRASS	1	NICKEL
2	PIN	BRASS	1	GOLD
3	INSULATION	DELFIN	2	DELFIN
4	WASHER	BRASS	1	NICKEL



	Allconnectors <small>www.allconnectors.de Tel.: 0640 711 200 503 70706 Milbertshausen - Germany</small>	DRAWN MARY CHECKED 蘇志欣 Q.A. 蘇姿潔 APPROVAL 徐燦霖 REVISION	DATE 96.08.30 DATE DATE DATE	DIMENSIONS ARE IN MILLIMETERS UNLESS OTHERWISE SPECIFIED TOLERANCE 0.5-5= ±0.2 120-315= ±1 5-30= ±0.4 315-1000= ±1.6 30-120= ±0.6 1000-2000= ±2.4	REVISION	
	TITLE FEMALE-FEMALE ADAPTOR				DESCRIPTION	ENGINEER
	PART NO. MU-08-DGN					
	DRAWING NO. MU 08 DGN					

4 3 2 1