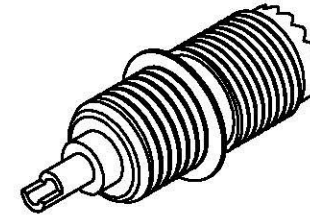


NO	DESCRIPTION	MATERIAL	Q'TY	FINISH
1	BODY	BRASS	1	NICKEL
2	INSULATION	DELIN	1	DELIN
3	PIN	BRASS	1	GOLD
4	INSULATION	TEFLON	1	TEFLON
5	WASHER	BRASS	1	NICKEL
6	NUT	BRASS	1	NICKEL



D

D

C

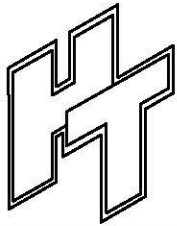
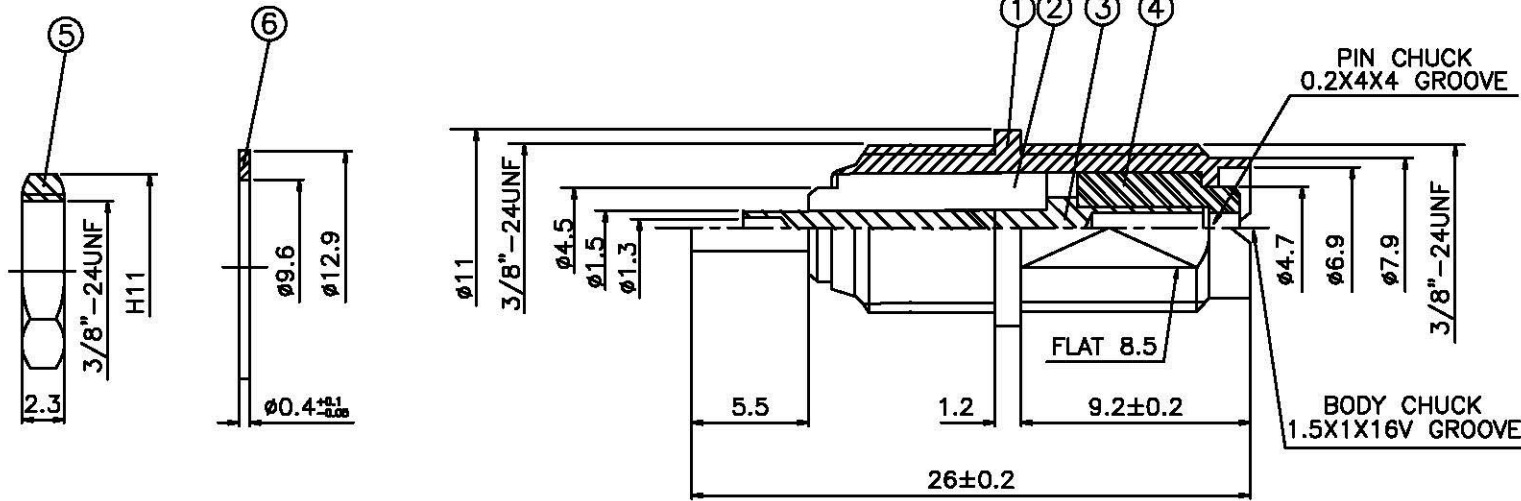
C

B

B

A

A



Allconnectors

www.allconnectors.us
 info@allconnectors.us
 70794 E. Linderoth Dr. Germany

www.allconnectors.us
 info@allconnectors.us
 1100 WARD ST. 70794
 GERMANY

TITLE BULKHEAD FEMALE
 RECEPTACLE

PART NO. MU-05-TGN

DRAWING NO. MU 05 TGN

DRAWN MARY

CHECKED 黄巧君

Q.A. 陈委波

APPROVAL 徐晓君

REVISION

DATE 95.11.23

DATE

DATE

DATE

DATE

DIMENSIONS ARE IN MILLIMETERS

UNLESS OTHERWISE SPECIFIED TOLERANCE

0.5-5=±0.2 120-315=±1

5-30=±0.4 315-1000=±1.6

30-120=±0.6 1000-2000=±2.4

SCALE 4:1 **SIZE** A

REVISION

DESCRIPTION **ENGINEER**

4

3

2

1