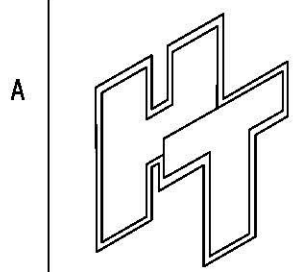
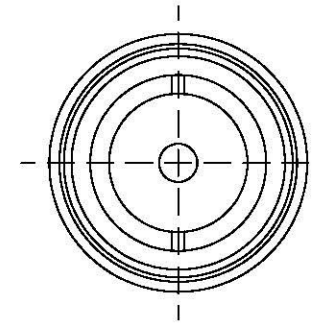
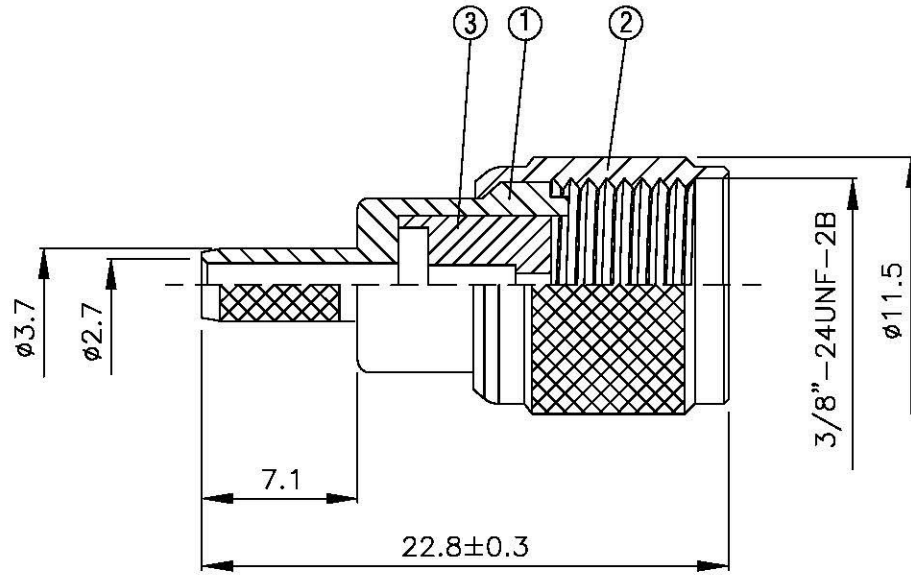
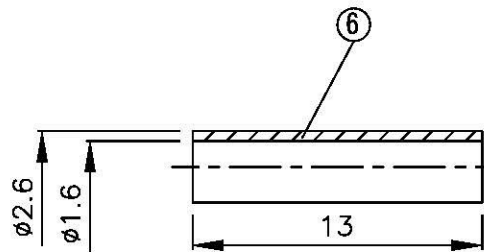
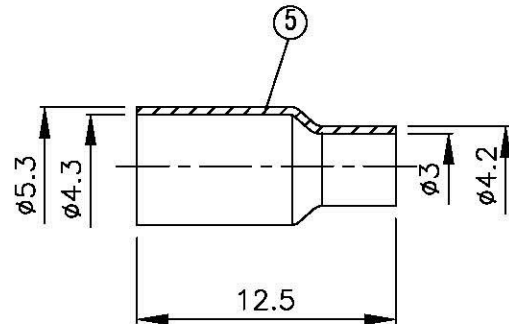
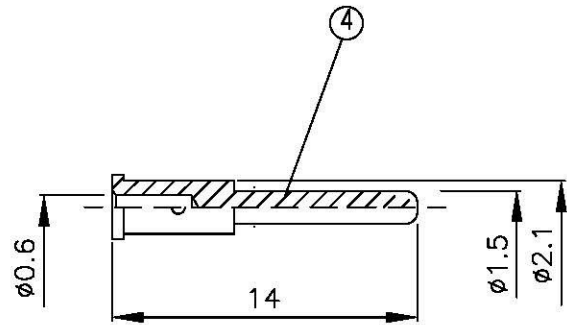
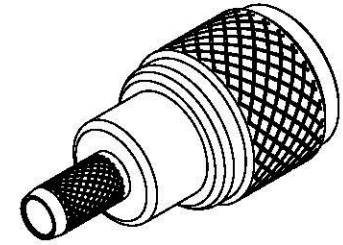
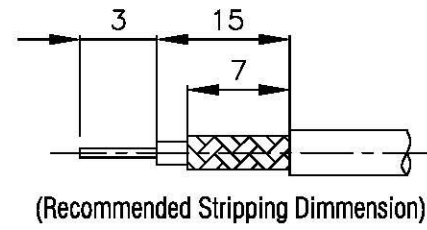


NO	DESCRIPTION	MATERIAL	Q'TY	FINISH
1	BODY	BRASS	1	NICKEL
2	SHELL	BRASS	1	NICKEL
3	INSULATION	DELRIN	1	DELRIN
4	PIN	BRASS	1	GOLD
5	RING	BRASS	1	NICKEL
6	INSULATION	DELRIN	1	DELRIN



Allconnectors

www.allconnectors.de
Tel: 0049 714 700809
00794 Elmptsch, Germany

info@allconnectors.de
Fax: 0049 714 700804
Kartenblatt: 25

TITLE **MINI UHF MALE CRIMP FOR
RG-174/U,316/U**

PART NO. **MU-03L-DGN**

DRAWING NO. **MU-03L-DGN**

DRAWN	MARY	DATE	96.10.29
CHECKED	蘇志欣	DATE	97.04.29
Q.A.	蘇姿潔	DATE	
APPROVAL	徐燦霖	DATE	
REVISION		DATE	

DIMENSIONS ARE IN MILLIMETERS

UNLESS OTHERWISE SPECIFIED TOLERANCE			
0.5-5=±0.2	120-315=±1		
5-30=±0.4	315-1000=±1.6		
30-120±0.6	1000-2000=±2.4		

SCALE 4:1 SIZE A

REVISION	
DESCRIPTION	ENGINEER