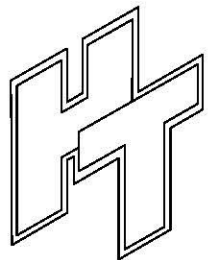
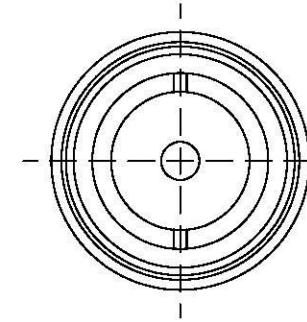
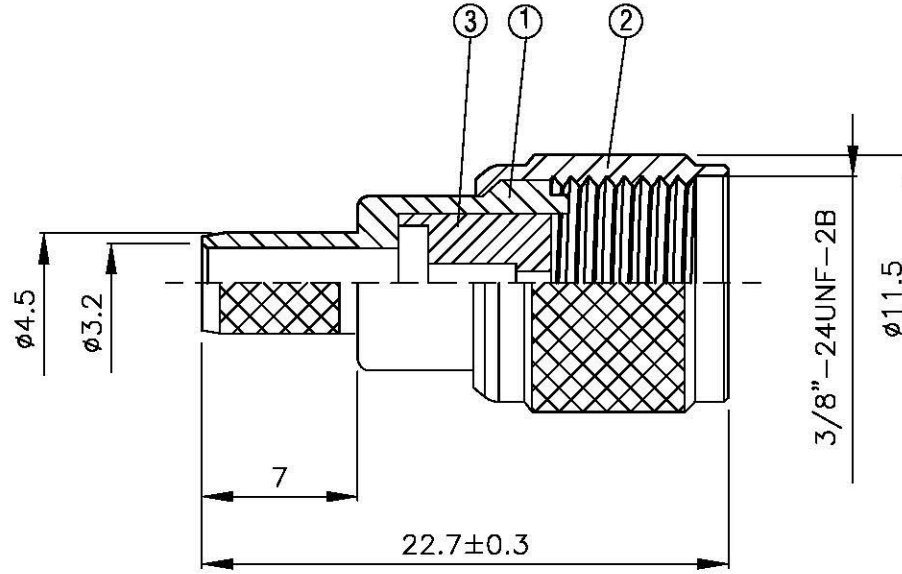
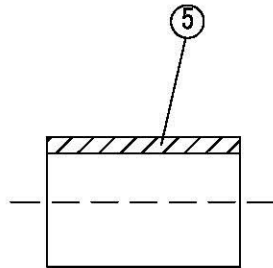
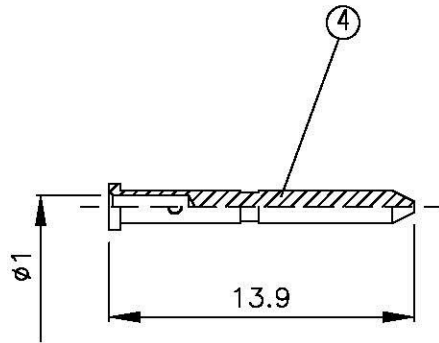
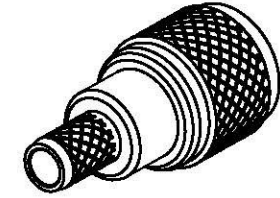
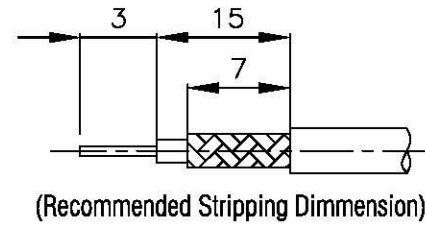


NO	DESCRIPTION	MATERIAL	Q'TY	FINISH
1	BODY	BRASS	1	NICKEL
2	SHELL	BRASS	1	NICKEL
3	INSULATION	DELRIN	1	DELRIN
4	PIN	BRASS	1	GOLD
5	RING	BRASS	1	NICKEL



All Connectors

www.allconnectors.se info@allconnectors.se
Tel.: 0045 711 700553 Fax: 0045 711 700504
Alls väg 11, 205 21, Halmstad, Sweden

TITLE MINI UHF MALE CRIMP FOR
RG-59/U

PART NO. MU-03G-DGN

DRAWING NO. MU-03G-DGN

DRAWN MARY DATE 81.05.23

CHECKED 黃巧君 DATE 81.05.23

Q.A. 蘇姿潔 DATE

APPROVAL 徐燦霖 DATE

REVISION DATE

DIMENSIONS ARE IN MILLIMETERS

UNLESS OTHERWISE SPECIFIED
TOLERANCE

0.5-5=±0.2 120-315=±1

5-30=±0.4 315-1000=±1.6

30-120±0.6 1000-2000=±2.4

SCALE 4:1 SIZE A

REVISION

DESCRIPTION ENGINEER

D

C

B

A

D

C

B

A

4

3

2

1