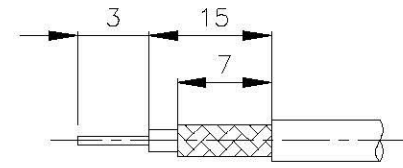
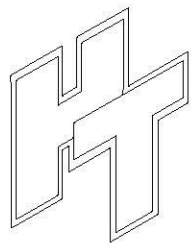
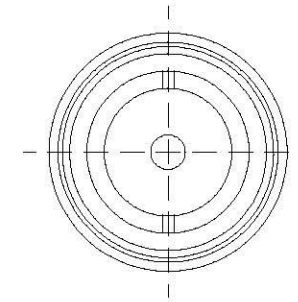
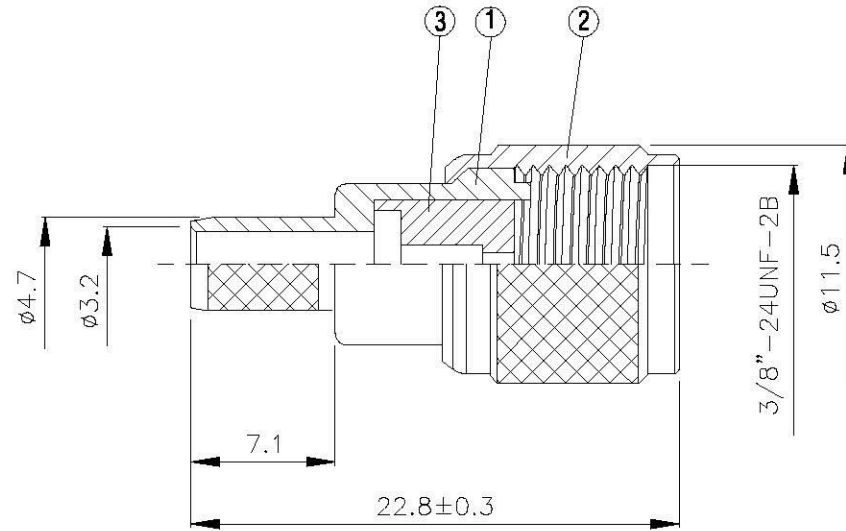
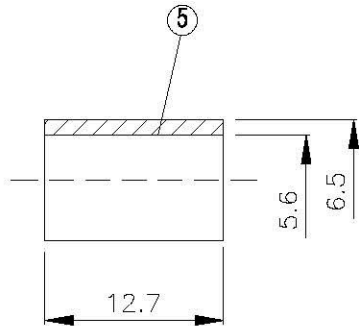
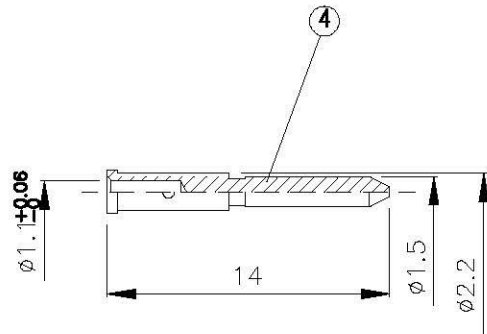
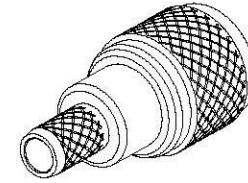


NO	DESCRIPTION	MATERIAL	Q'TY	FINISH
1	BODY	BRASS	1	NICKEL
2	SHELL	BRASS	1	NICKEL
3	INSULATION	DELTRIN	1	DELTRIN
4	PIN	BRASS	1	GOLD
5	RING	BRASS	1	NICKEL



(Recommended Stripping Dimension)



All Connectors

www.allconnectors.com
Tel: 8620 231 08660
10024 TMLD-141-2888888

1710 Sullivan Road, Suite 100
Laguna Hills, CA 92653
USA

TITLE MINI UHF MALE CRIMP FOR
RG-58/U, AMC-58LL

PART NO. MU-03F-DGN

DRAWING NO. MU-03F-DGN

DRAWN MARY DATE 81.05.23

CHECKED 黃巧君 DATE 81.05.23

Q.A. 蘇姿潔 DATE

APPROVAL 徐燦霖 DATE

REVISION DATE

DIMENSIONS ARE IN MILLIMETERS

UNLESS OTHERWISE SPECIFIED
TOLERANCE

0.5-5=±0.2 120-315=±1

5-30=±0.4 315-1000=±1.6

30-120=±0.6 1000-2000=±2.4

SCALE 4:1 SIZE A

REVISION

DESCRIPTION ENGINEER

4

3

2

1