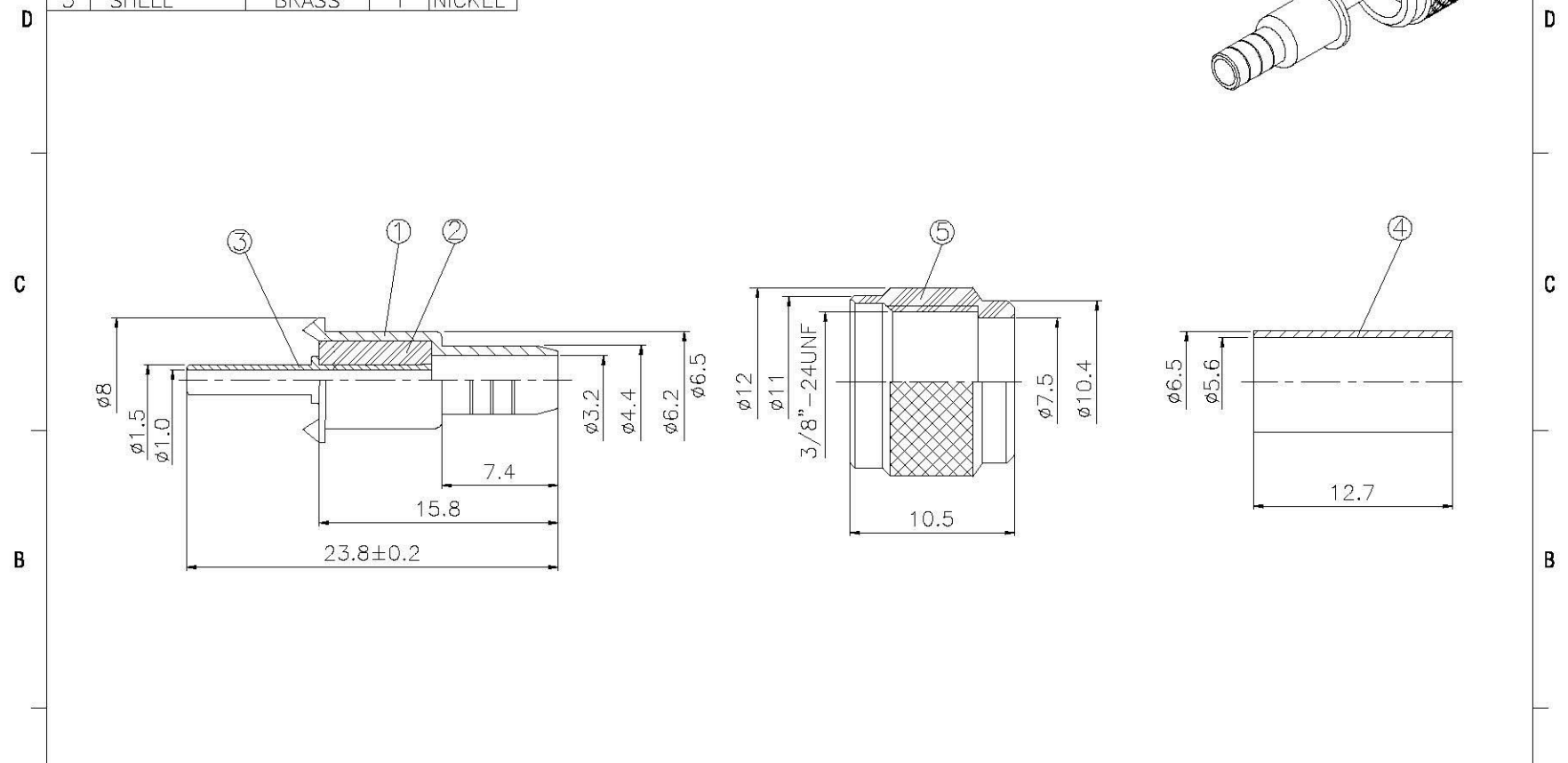
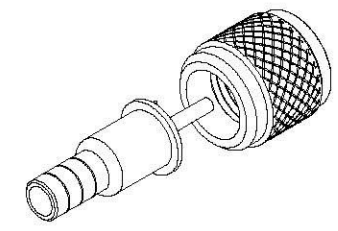





NO	DESCRIPTION	MATERIAL	Q'TY	FINISH
1	BODY	BRASS	1	NICKEL
2	INSULATION	DELTRIN	1	DELTRIN
3	PIN	BRASS	1	GOLD
4	RING	BRASS	1	NICKEL
5	SHELL	BRASS	1	NICKEL



		DRAWN MARY DATE <b>01.08.12</b>	DIMENSIONS ARE IN MILLIMETERS		REVISION		
	<small>www.allconnectors.de TEL: 0544 211 20000 493441430101 Germany</small>	<small>info@allconnectors.de FAX: 0544 211 20004 Kottbus 41 25</small>	CHECKED  DATE	UNLESS OTHERWISE SPECIFIED TOLERANCE		DESCRIPTION	ENGINEER
	<b>TITLE MALE CRIMP FOR RG58U,141AU</b>	Q.A.  DATE	0.5-5=±0.2 120-315=±1				
	<b>PART NO. MU-02F-DGN</b>	APPROVAL  DATE	5-30=±0.4 315-1000=±1.6				
	<b>DRAWING NO. MU 02F DGN</b>	REVISION DATE	30-120=±0.6 1000-2000=±2.4	SCALE 4:1	SIZE A		