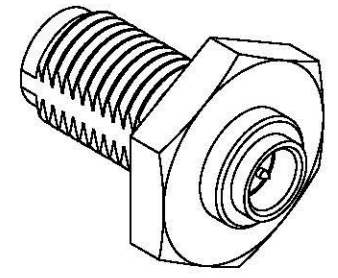
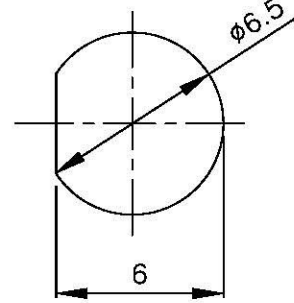
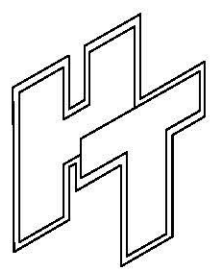
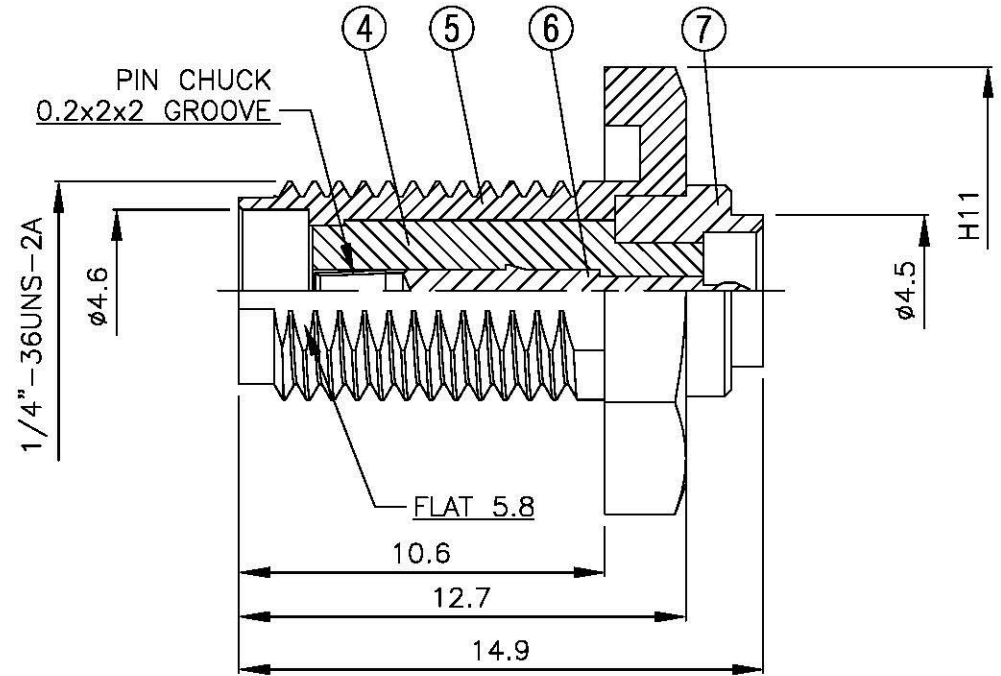
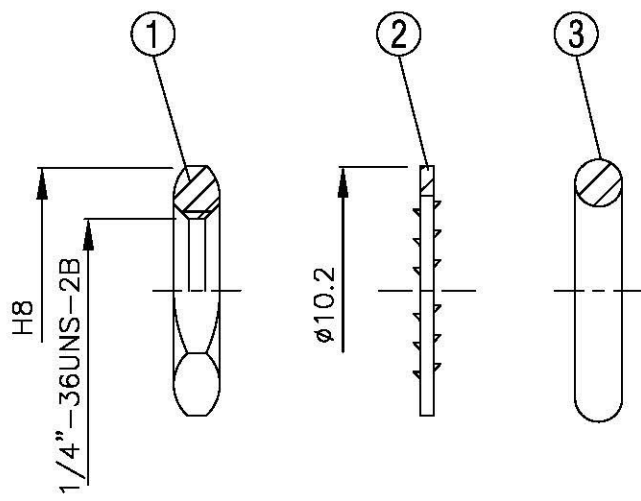


NO	DESCRIPTION	MATERIAL	Q'TY	FINISH	REMARK
1	NUT	BRASS	1	NICKEL	N-0006
2	WASHER	BRASS	1	NICKEL	W-0016
3	GASKET	SI RUBBER	1	RUBBER	RU-0014
4	INSULATION 1	TEFLON	1	TEFLON	I-0414T
5	BODY	BRASS	1	NICKEL	B-SMA0598-N
6	PIN	BE CU	1	GOLD	P-MSM0600-G
7	BODY	BRASS	1	NICKEL	B-MSM0856-N



MOUNTING HOLES



**All Connectors**  
 www.allconnectors.de  
 info@allconnectors.de  
 0893 Hildesheim, Germany  
 05131 200504  
 05131 200504

TITLE **SMA FEMALE -MSM MALE**

PART NO. **MSM-03-TGN**

DRAWING NO. **MSM 03 TGN**

DRAWN **MARY** DATE **94.01.22**

CHECKED **蘇姿潔** DATE

Q.A. **馮健華** DATE

APPROVAL **徐燦霖** DATE

REVISION DATE

DIMENSIONS ARE IN MILLIMETERS

UNLESS OTHERWISE SPECIFIED TOLERANCE

0.5-5=±0.2 120-315=±1

5-30=±0.4 315-1000=±1.6

30-120±0.6 1000-2000=±2.4

SCALE **4:1** SIZE **A**

REVISION	
DESCRIPTION	ENGINEER